



TUMBLE DRYERS | GREEN EVOLUTION



# FED-25-35-50

THE PERFECT BALANCE BETWEEN  
QUALITY AND PRICE.

- Mixed Flow
- MP Control
- Autoreverse DRUM
- Stainless Steel DRUM
- SOFT TOUCH

## FEATURES

- Auto-reverse Drum: the drying process is more efficient; offers better uniformity, avoiding the tangling of big pieces.
- Frequency inverter: controls rotating speed and reverse drum action.
- Filter drawer with wide surface and improved airflow made of stainless steel.
- Outer casing in galvanized steel.
- Galvanized Steel Drum.
- "M Control" range: easy to use analogic control with time and temperature selection.
- Radial airflow circuit.
- Big loading door (opening of 180°).
- Transmission of movement by gear motor (direct drive).
- Cool Down: Anti-wrinkle at the end of cycle.

.....  
Models available in electric or gas heating.

### OPTIONS:

- Version in 60 Hz.
- Marine versions 440V III 60 Hz No neutral or 480V III 60 Hz No



Call: (503) 678-1699

info@cascadia-laundry.com

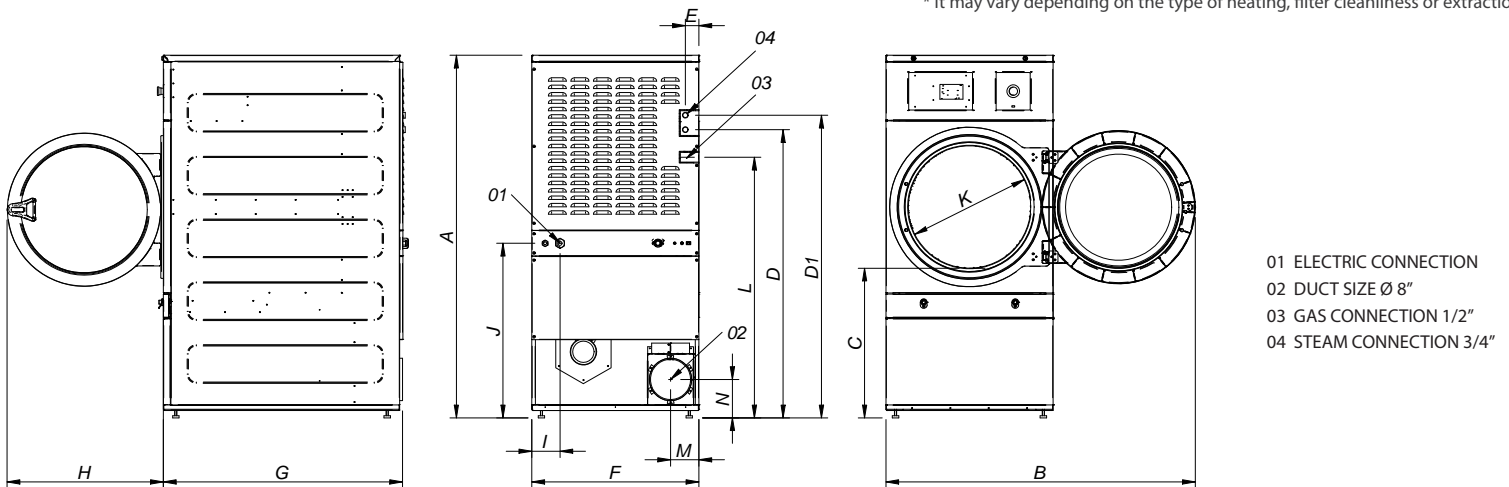
PO Box 433 Donald, OR 97020

[www.fagorcommercial.com](http://www.fagorcommercial.com)



TECHNICAL DATA	UNIT.	FED- 25	FED 35	FED- 50			
<b>CAPACITY</b>							
Capacity 1/18	lb	26	40	60			
Capacity 1/20	lb	25	35	50			
Hourly Output *	lb/h	62/ 6	68 / 9	88 / 6			
Evaporation Capacity *	l/h	14,5	16,3	20,4			
<b>DRUM</b>							
Ø Drum	in	29.50	29.50	33			
Ø Door	in	22.50	22.50	22.50			
Door Center Height	in	38.50	38.50	40.50			
Door Bottom Height	in	27	27	29.25			
Drum Depth	in	18.70	29.30	31.50			
Drum Volume	CuFt	7	12	17			
<b>POWER</b>							
Drum motor power	HP	1	1	1			
Fan motor power	HP	0.33	0.33	0,75			
Electric heating power	kw	16	24	32			
Total electric power (elec.model)	kw	16.99	25.03	33.48			
Gas heating power	BTU	93,834	93,834	141,843			
Total electric power (gas model)	kw	0.89	0.89	1.3			
Steam heating power	kw	40	40	66			
Steam heating power (gas model)	kw	0.89	0,89	1.3			
<b>CONNECTIONS</b>		<b>ELECTRICAL</b>	<b>STEAM / GAS</b>	<b>ELECTRICAL</b>	<b>STEAM / GAS</b>	<b>ELECTRICAL</b>	<b>STEAM / GAS</b>
Tension 120 V - I / 230V - I + N + T	Nº x mm2 / A	3 x 35 / 63A	3 x 1,5 / 20A	-	3 x 1,5 / 20A	-	3 x 1,5 / 20A
Tension 230V - III + T	Nº x mm2 / A	4 x 10 / 40A	3 x 1,5 / 20A	4 x 16 / 63A	3 x 1,5 / 20A	4 x 25 / 80A	3 x 1,5 / 20A
Tension 400V - III + N + T	Nº x mm2 / A	5 x 4 / 25A	3 x 1,5 / 20A	5 x 10 / 32A	3 x 1,5 / 20A	5 x 10 / 40A	3 x 1,5 / 20A
Ø Gas inlet	BSP	1/2"		1/2"		1/2"	
Ø Steam inlet	BSP	3/4"		3/4"		1"	
Ø Condensed (Steam models)	BSP	3/4"		3/4"		1"	
<b>DIMENSIONS / PACKING DIMENSIONS</b>							
Net Width / Gross Width	in	31 / 34		31 / 34		35 / 38	
Net Depth / Gross Depth	in	33 / 37		44 / 48		49 / 53	
Net Height / Gross Height	in	67 / 73		67 / 73		71 / 76	
Height without heating battery	in	-		-		-	
Net weight / Gross weight	lb	379 / 396		412 / 440		462 / 485	
<b>OTHERS</b>							
Max airflow	CFM	500		500		706	
Ø Duct Size	in	8		8		8	
Sound level	dB	64		64		65	

\* It may vary depending on the type of heating, filter cleanliness or extraction type.



- 01 ELECTRIC CONNECTION
- 02 DUCT SIZE Ø 8"
- 03 GAS CONNECTION 1/2"
- 04 STEAM CONNECTION 3/4"

	A	B	C	D	D1	E	F	G	H	I	J	K	L	M	N
FED-25	67	57	27	54	56	3	31	34	29	3.75	33	23	48.25	5.25	7
FED-35	67	57	27	54	56	3	31	44.25	29	3.75	33	23	48.25	5.25	7
FED-50	71	61	29.25	56.25	60.25	4.50	35	49.50	29	8	34	23	53	5.25	7





TUMBLE DRYERS | GREEN EVOLUTION



# FED- 65 -80

THE PERFECT BALANCE BETWEEN  
QUALITY AND PRICE.

- Mixed Flow
- MP Control
- Autoreverse DRUM
- Stainless Steel DRUM
- SOFT TOUCH

## FEATURES

- Auto-reverse Drum: the drying process is more efficient; offers better uniformity, avoiding the tangling of big pieces.
- Frequency inverter: controls rotating speed and reverse drum action.
- Filter drawer with wide surface and improved airflow made of stainless steel.
- Outer casing in galvanized steel.
- Galvanized Steel Drum.
- "M Control" range: easy to use analogic control with time and temperature selection.
- Radial airflow circuit.
- Big loading door (opening of 180°).
- Transmission of movement by gear motor (direct drive).
- Cool Down: Anti-wrinkle at the end of cycle.

.....  
Models available in electric or gas heating.

### OPTIONS:

- Version in 60 Hz.
- Marine versions 440V III 60 Hz No neutral or 480V III 60 Hz No

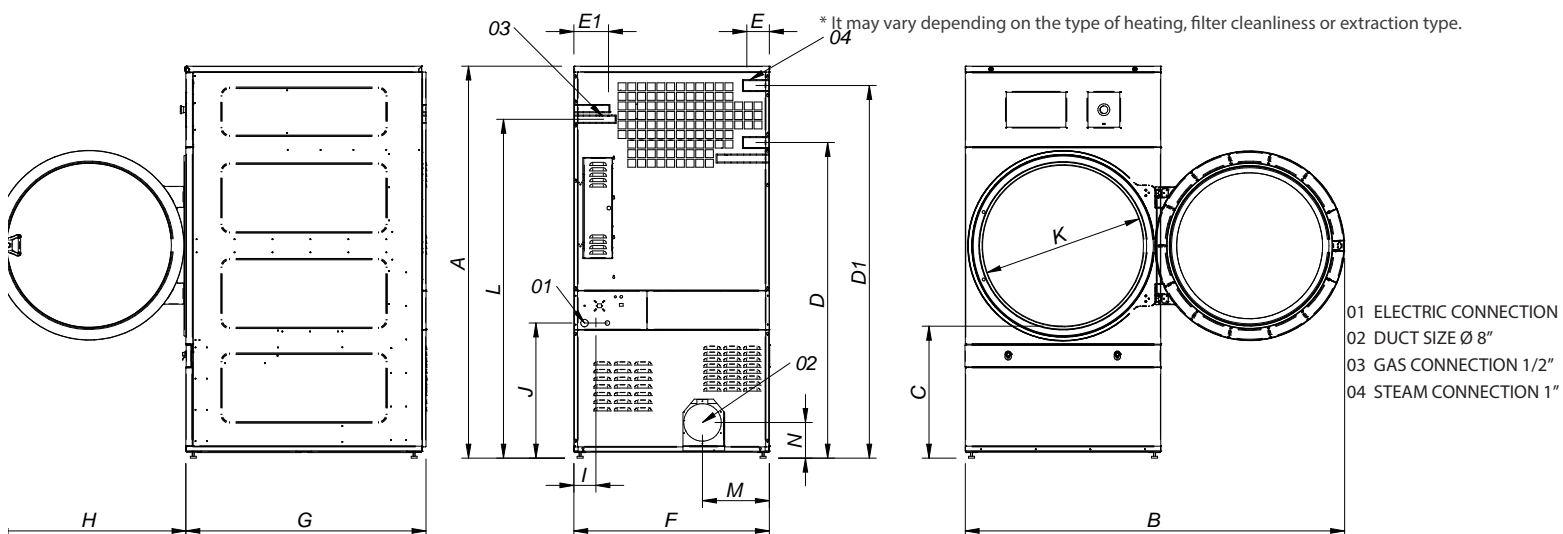


Call: (503) 678-1699  
info@cascadialaundry.com  
PO Box 433 Donald, OR 97020

[www.fagorcommercial.com](http://www.fagorcommercial.com)



TECHNICAL DATA	UNIT.	FED- 65	FED- 80		
<b>CAPACITY</b>					
Capacity 1/18	lb	70	80		
Capacity 1/20	lb	60	75		
Hourly Output*	lb/h	59,3	138 / 9		
Evaporation capacity*	l/h	30,9	32,1		
<b>DRUM</b>					
Ø Drum	in	37.25	37.25		
Ø Door	in	31.50	31.50		
Door center height	in	41	41		
Load hole bottom height	in	64.50	64.50		
Drum length	in	30.75	36.85		
Drum volume	CuFt	19	23		
<b>POWER</b>					
Drum motor power	HP	0,75	0,75		
Fan motor power	HP	0,75	0,75		
Electric heating power	Kw	30	36		
Total electric power (elec.model)	Kw	31,15	37,15		
Gas heating power	BTU	139898	139898		
Total electric power (gas model)	Kw	1,15	1,15		
Steam heating power	kw	50,1	50,1		
Steam heating power (gas model)	kw	1,15	1,15		
<b>CONNECTIONS</b>		<b>ELECTRICAL</b>	<b>STEAM / GAS</b>	<b>ELECTRICAL</b>	<b>STEAM / GAS</b>
Tension 120 V - I / 230V - I + N + T	Nº x mm2 / A	-	3 x 1,5 / 20A	-	3 x 1,5 / 20A
Tension 230V - III + T	Nº x mm2 / A	4 x 35 / 100A	3 x 1,5 / 20A	4 x 50 / 125A	3 x 1,5 / 20A
Tension 400V - III + N + T	Nº x mm2 / A	5 x 16 / 63A	3 x 1,5 / 20A	5 x 16 / 63A	3 x 1,5 / 20A
Ø Gas inlet	BSP		1/2"		1/2"
Ø Steam inlet	BSP		1"		1"
Ø Condensed (Steam models)	BSP		1"		1"
<b>DIMENSIONS / PACKING DIMENSIONS</b>					
Net Width / Gross Width	in	38.75 / 42		38.75 / 42	
Net Depth / Gross Depth	in	41.50 / 45.50		47.60 / 51.60	
Net Height / Gross Height	in	76.60 / 82		76.60 / 82	
Height without heating battery	in	-		-	
Net weight / Gross weight	lb	507 / 573		573 / 628	
<b>OTHERS</b>					
Max airflow	CFM	706		706	
Ø Duct Size	in	8		8	
Sound level	dB	65		65	



	A	B	C	D	D1	E	E1	F	G	H	I	J	K	L	M	N
FED-65	76.60	75	25	62.60	74	4.50	6.85	38.75	41.50	37.75	4.30	26.75	31.60	67.25	13.35	7
FED-80	76.60	75	25	62.60	74	4.50	6.85	38.75	47.60	37.75	4.30	26.75	31.60	67.25	13.35	7





TUMBLE DRYERS | GREEN EVOLUTION



FAGOR INDUSTRIAL



## FED2 - 25 -35

THE PERFECT BALANCE BETWEEN QUALITY AND PRICE.



### FEATURES

- Auto-reverse Drum: the drying process is more efficient; offers better uniformity, avoiding the tangling of big pieces.
- Frequency inverter: controls rotating speed and reverse drum action.
- Filter drawer with wide surface and improved airflow made of stainless steel.
- Outer casing in galvanized steel.
- Galvanized Steel Drum.
- "M Control" range: easy to use analogic control with time and temperature selection.
- Radial airflow circuit.
- Big loading door (opening of 180°).
- Transmission of movement by gear motor (direct drive).
- Cool Down: Anti-wrinkle at the end of cycle.

.....  
Models available in electric or gas heating.

### OPTIONS:

- Version in 60 Hz.
- Marine versions 440V III 60 Hz No neutral or 480V III 60 Hz No



Call: (503) 678-1699  
info@cascadialaundry.com  
PO Box 433 Donald, OR 97020

www.fagorcommercial.com



FAGOR COMMERCIAL, INC.

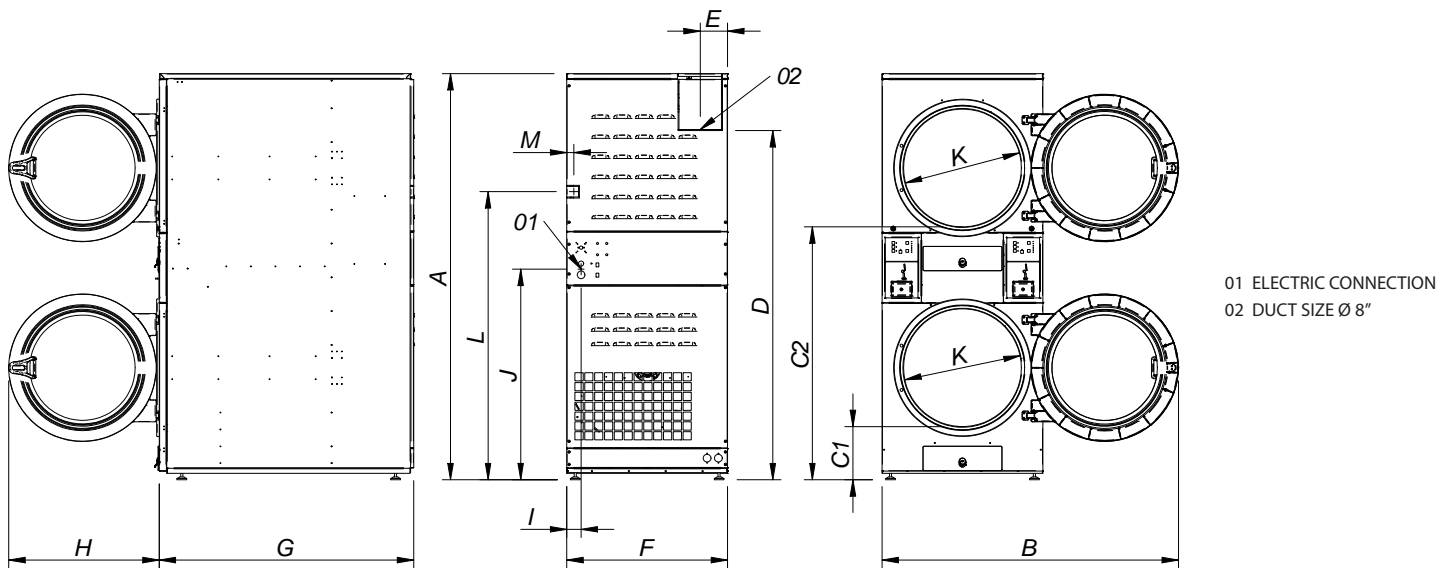
13105 NW 47th Ave  
Opa-locka 33054

Phone (305) 779 0170  
us.marketing@onnergroupp.com



TECHNICAL DATA	UNIT.	FED2 - 25	FED2 - 35		
<b>CAPACITY</b>					
Capacity 1/18	lb	50	80		
Capacity 1/20	lb	48	75		
Hourly Output*	lb/h	79	116		
Evaporation capacity*	l/h	16,5	18,6		
<b>DRUM</b>					
Ø Drum	in	29.50	29.50		
Ø Door	in	22.50	22.50		
Door center height	in	21.50 / 60	21.50 / 60		
Load hole bottom height	in	10.25 / 49	10.25 / 49		
Drum length	in	18.75	29.25		
Drum volume	?	55	87		
<b>POWER</b>					
Drum motor power	HP	1 x 2	1 x 2		
Fan motor power	HP	.33 x 2	.33 x 2		
Electric heating power	Kw	12x2	12x2		
Total electric power (elec.model)	Kw	25,34	25,34		
Gas heating power	Kw	12x2	12x2		
Total electric power (gas model)	Kw	1,34	1,34		
<b>CONNECTIONS</b>		<b>ELECTRIC.</b>	<b>GAS</b>	<b>ELECTRIC.</b>	<b>GAS</b>
Tension 120 V - I / 230V - I + N + T	Nº x mm2 / A	-	3 x 1,5 / 20A	-	3 x 1,5 / 20A
Tension 230V - III + T	Nº x mm2 / A	4 x 25 / 80A	3 x 1,5 / 20A	4 x 25 / 80A	3 x 1,5 / 20A
Tension 400V - III + N + T	Nº x mm2 / A	5 x 10 / 40A	3 x 1,5 / 20A	5 x 10 / 40A	3 x 1,5 / 20A
<b>DIMENSIONS / PACKING DIMENSIONS</b>					
Net width / Gross width	in	31 / 34		31 / 34	
Net Depth / Gross Depth	in	38.25 / 41.50		49 / 52	
Net Height / Gross Height	in	78 / 84		78 / 84	
Net weight / Gross weight	lb	260/268		290/303	
<b>OTHERS</b>					
Max airflow	CFU	589		589	
Ø Duct Size	in	8		8	
Sound level	dB	64		64	

\* It may vary depending on the type of heating, filter cleanliness or extraction type.



	A	B	C1	C2	D	E	F	G	H	I	J	K	L	M
FED2-25	78	67	10	48.50	63.75	5.25	31	38.25	29	64	40.50	22.50	55.25	1.50
FED2-35	78	67	10	48.50	63.75	5.25	31	49	29	64	40.50	22.50	55.25	1.50

