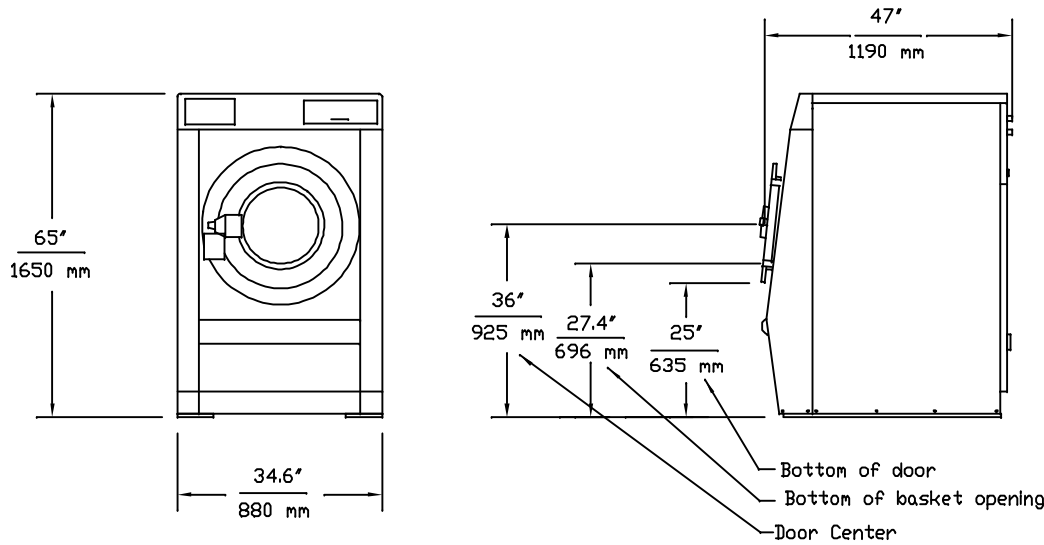


A



**Electrical Requirements**

| Voltage                             | Phase | System Wire | Wire Size | Amps | Breaker |
|-------------------------------------|-------|-------------|-----------|------|---------|
| 208-240VAC, 50/60Hz, 1PH            | 1     | 2 + GND     | 14        | 14   | 15      |
| 208-240VAC, 50/60Hz, 3PH            | 3     | 3 + GND     | 14        | 8    | 15      |
| 380-460VAC, 50/60Hz, 3PH            | 3     | 3 + GND     | 14        | 4    | 15      |
| 208-240VAC, 50/60Hz, 3PH Elec. Heat | 3     | 3 + GND     | 4         | 52   | 60      |
| 380-460VAC, 50/60Hz, 3PH Elec. Heat | 3     | 3 + GND     | 10        | 26   | 30      |

**Drain Requirements**

| Connection Size |    | Discharge Rate |            | Min Sewer Line |     |
|-----------------|----|----------------|------------|----------------|-----|
| inches          | mm | gal/min        | liters/min | inches         | mm  |
| 3               | 76 | 62             | 235        | 4              | 102 |

**Water Requirements**

| Water           |        |               |     |          |    | Flow Rate (@45PSI/3Bar) |           | Minimum Supply Line Size |        | Max Operating Pressure |        |
|-----------------|--------|---------------|-----|----------|----|-------------------------|-----------|--------------------------|--------|------------------------|--------|
| Connection Size |        | Line Pressure |     | Max Temp |    | gal/min                 | liter/min | US                       | Metric | US                     | Metric |
| US              | Metric | PSI           | Bar | F        | C  |                         |           |                          |        |                        |        |
| 3/4"            | DN 19  | 30-75         | 2-5 | 200      | 93 | 11                      | 40        | 1                        | DN 25  | 125 PSI                | 8 Bar  |

**Steam Requirements**

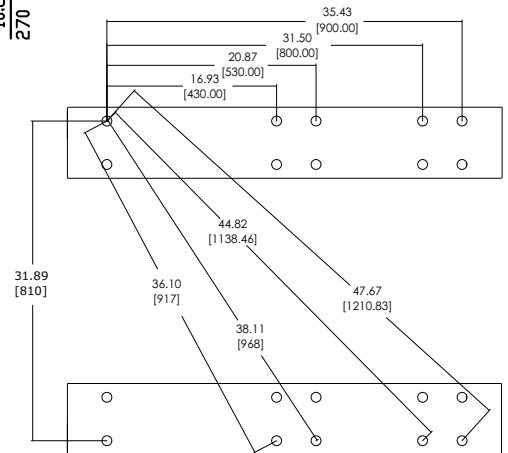
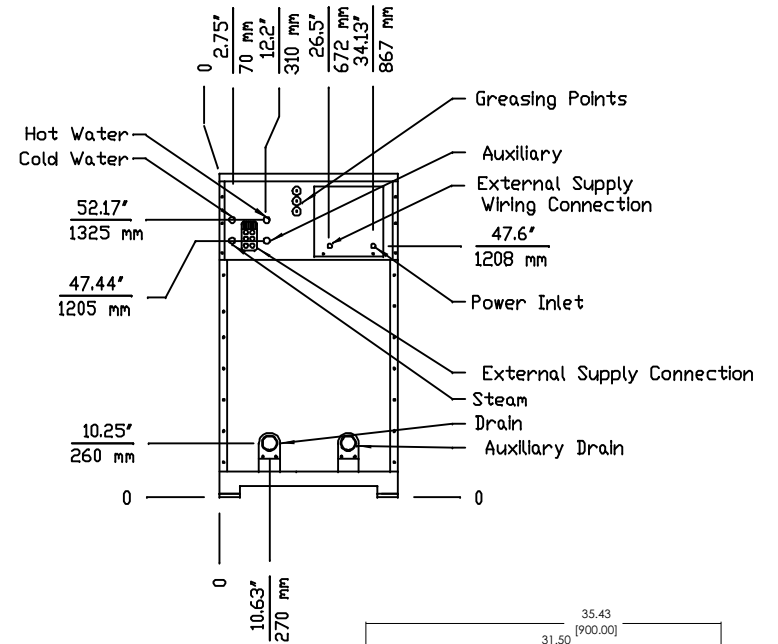
| Steam           |        |               |     | Minimum Supply Line Size |        | Max Operating Pressure |        |
|-----------------|--------|---------------|-----|--------------------------|--------|------------------------|--------|
| Connection Size |        | Line Pressure |     | US                       | Metric | US                     | Metric |
| US              | Metric | PSI           | Bar | US                       | Metric | US                     | Metric |
| 1/2"            | DN 12  | 30-75         | 2-5 | 1/2"                     | DN 12  | 100 PSI                | 6 Bar  |

**Dynamic Load Specifications**

| Static Load |     | Dynamic Load |      | Dynamic Frequency |
|-------------|-----|--------------|------|-------------------|
| lbs         | kN  | lbs          | kN   | Hz                |
| 1450        | 6.5 | 4205         | 18.7 | 14.83             |


**Shipping Data**

| Type     | lbs  | kg  | cu ft | cu m |
|----------|------|-----|-------|------|
| Domestic | 1450 | 660 | 68    | 2    |
| Export   | 1584 | 720 | 68    | 2    |

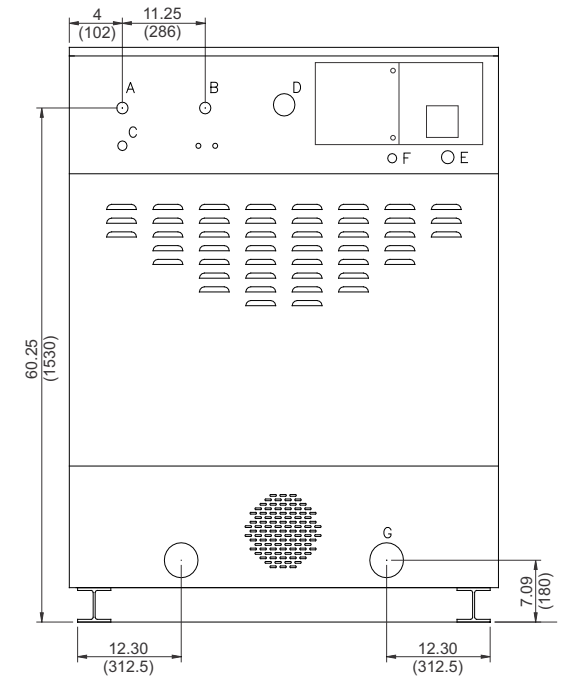
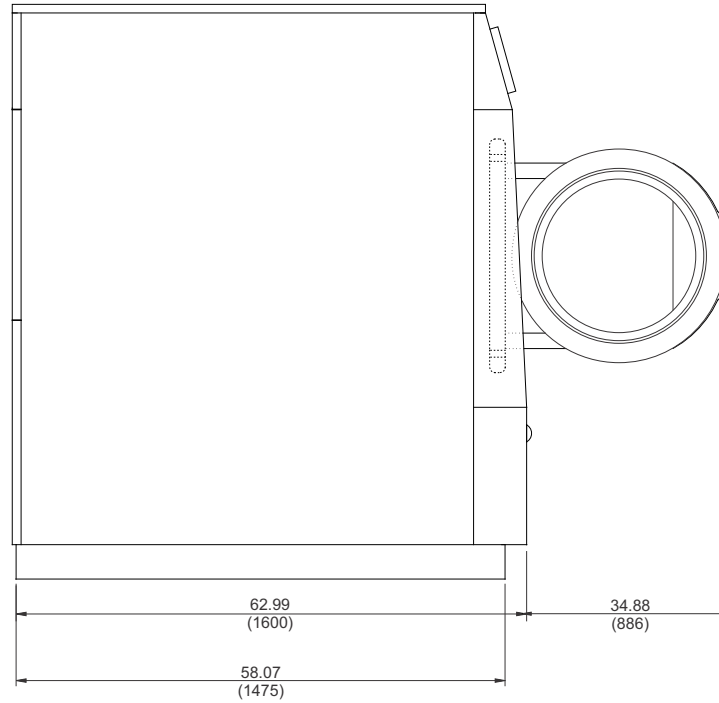
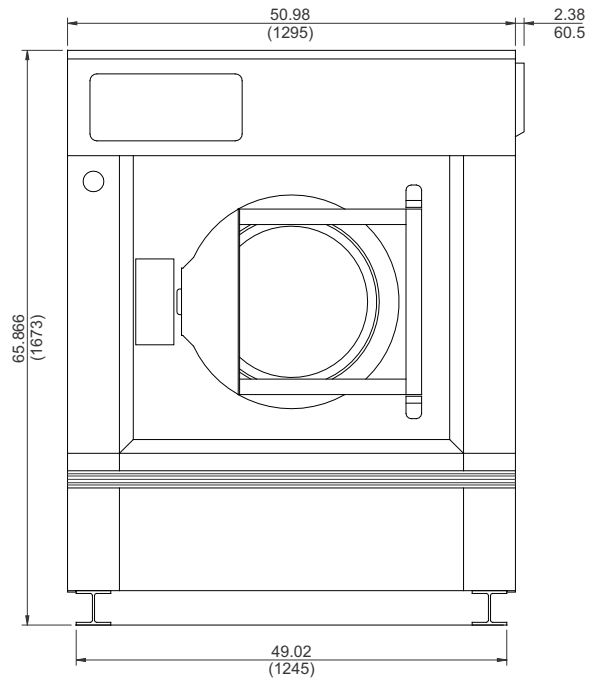


**MOUNTING BOLT DETAIL**

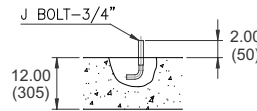
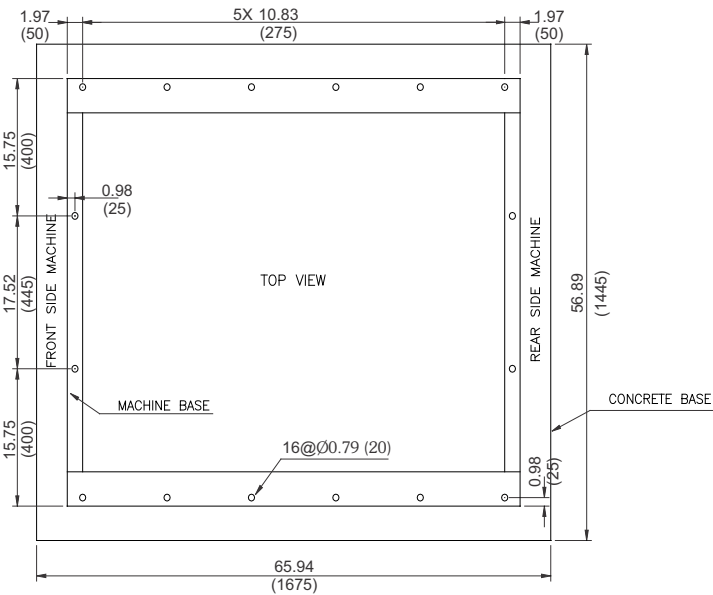
Foundation details are in the HP Series Installation & Operation Manual

| REV  | BY               | DATE      | REV. DESCRIPTION   |
|--|------------------|-----------|--|
| A1   | AFA              | 9-30-2013 | Created  |
| DRAWN BY   |                  | DATE      |  Panama City, FL<br>Phone: 850-249-2222<br>Fax: 850-249-2226<br>www.bandctech.com |
| A. Adcock  |                  | 9-30-2013 |  |
| CHECKED BY                                       |                  | DATE      |  |
| S. Brown   |                  | 9-30-2013 |  |
| DESCRIPTION                                      |                  |           |  |
| General Technical Specifications<br><b>HP-65</b> |                  |           |  |
| DATE   | FILE NAME        | SHEET     |  |
| 9-30-2013  | HP-65GenSpec.cdr | 1 OF 1    |  |

A



- A = HOT WATER INLET 1"
- B = COLD WATER INLET 1"
- C = STEAM INLET 1"
- D = AIR VENT 3"
- E = ELECTRICAL CABLE CONNECTION PG29 10 AWG
- F = EXTERNAL DISPENSOR CONNECTION PG21
- G = DRAIN CONNECTION 3"



### Electrical Service

| Service                  | Max Current | Breaker |
|--------------------------|-------------|---------|
| 208-240VAC, 50/60Hz, 3PH | 32A         | 40A     |
| Electric Heat            | 129A        | 140A    |
| 380-480VAC, 50/60Hz, 3PH | 16A         | 20A     |
| Electric Heat            | 73A         | 80A     |

|  |                                 |                   |   |
|--|---------------------------------|-------------------|---|
| REV<br>A3  | BY<br>AFA                       | DATE<br>8-5-2016  | REV. DESCRIPTION<br>Added door swing  |
| DRAWN BY<br>A. Adcock  |                                 | DATE<br>9-30-2013 |  <b>Panama City Beach, FL</b><br>Phone: 850-249-2222<br>Fax: 850-249-2226<br>www.bandctech.com |
| CHECKED BY<br>C. Oswald  |                                 | DATE<br>9-30-2013 |   |
| DESCRIPTION<br>General Technical Specifications<br><b>HP-125</b> |                                 |                   |   |
| DATE<br>9-30-2013  | FILE NAME<br>HP-125 General.cdr | SHEET<br>1 OF 1   |   |