



FD2 - 25 -35

THE PERFECT BALANCE BETWEEN
QUALITY AND PRICE.



FEATURES

- Two drums share single exhaust pipe and single electric connection.
- Auto-reverse Drum: the drying process is more efficient; offers better uniformity; avoiding the tangling of big pieces.
- Frequency inverter: controls rotating speed and reverse drum action.
- Filter drawer with wide surface and improved airflow made of stainless steel. Standard filter hole diameter is 0,3 mm. Optional 0,6 mm and 1,2 mm.
- Outer casing in grey skin-plate, stainless steel look.
- Stainless Steel Drum.
- 2 different ranges:
 - "MP Control" range: easy and intuitive electronic control offers a complete control of the process: possibility to select required drum speed, statistics control, technical menu, alarms, etc. 10 standard programs that can be modified.
 - "Self-Service" range: specific MP control for the self-service industry with several payment options: central payment, coin/token or with prepaid card systems.
- Soft Touch: the stamped drum perforations make sure the liner is gently handled, lengthening the garments lifetime.
- Mixed Flow: the system of mixed axial-radial airflow increases the efficiency of the whole drying process due to the improvement of the air-flow inside the drum.
- Big loading door (opening of 180°).
- Transmission of movement by gear motor (direct drive).
- Cool Down: anti-wrinkle at the end of cycle.

.....
Models available in electric, or gas heating.

OPTIONS:

- iDRY (MP Control models only): humidity sensor that offers a precise humidity control; by this system the drying cycle will automatically stop when it reaches the set level of residual humidity.
- Fire Care System (MP Control models only).
- Back panel with air filter.
- Double door-glass.
- Stainless steel body.
- Stainless steel front panel.
- Model versions in 60 Hz.
- Marine versions 440V III 50/60 Hz
No neutral or 480V III 50/60 Hz



Call: (503) 678-1699
info@cascadialaundry.com
PO Box 433 Donald, OR 97020

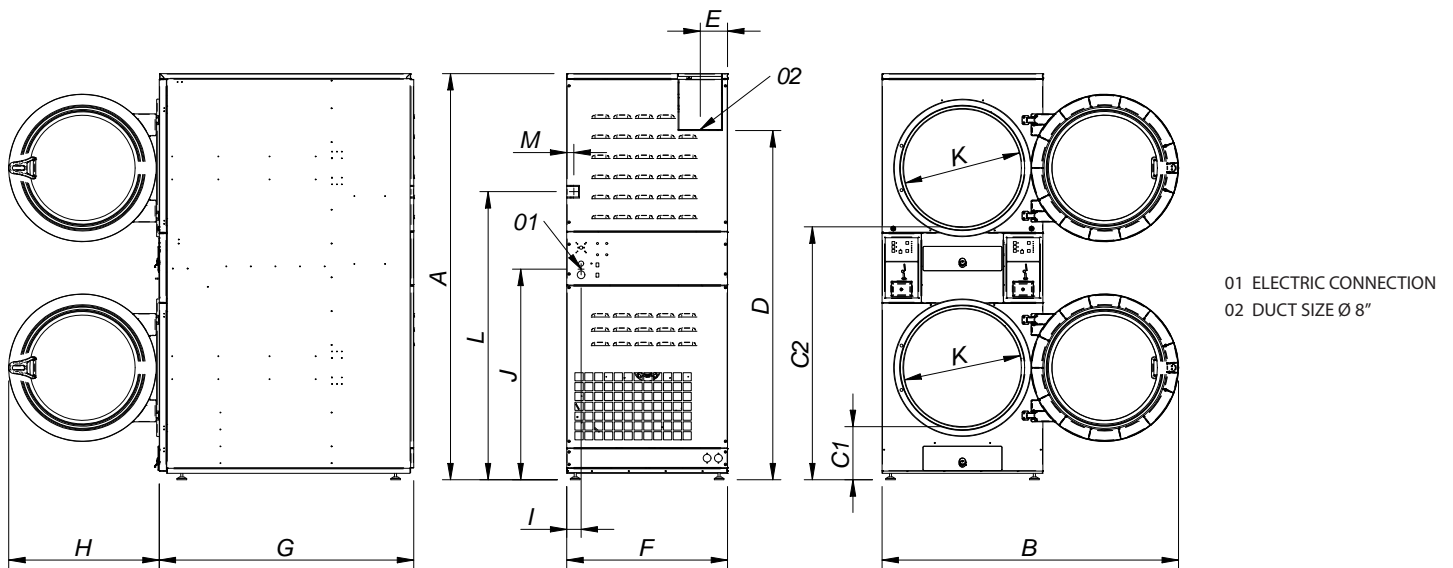


www.fagorcommercial.com



TECHNICAL DATA	UNIT.	FD2 - 25	FD2 - 35		
CAPACITY					
Capacity 1/18	lb	50	80		
Capacity 1/20	lb	48	75		
Hourly Output*	lb/h	79	116		
Evaporation capacity*	l/h	16,5	18,6		
DRUM					
Ø Drum	in	29.50	29.50		
Ø Door	in	22.50	22.50		
Door center height	in	21.50 / 60	21.50 / 60		
Load hole bottom height	in	10.25 / 49	10.25 / 49		
Drum length	in	18.75	29.25		
Drum volume	?	55	87		
POWER					
Drum motor power	HP	1 x 2	1 x 2		
Fan motor power	HP	.33 x 2	.33 x 2		
Electric heating power	Kw	12x2	12x2		
Total electric power (elec.model)	Kw	25,34	25,34		
Gas heating power	Kw	12x2	12x2		
Total electric power (gas model)	Kw	1,34	1,34		
CONNECTIONS		ELECTRIC.	GAS	ELECTRIC.	GAS
Tension 120 V - I / 230V - I + N + T	Nº x mm2 / A	-	3 x 1,5 / 20A	-	3 x 1,5 / 20A
Tension 230V - III + T	Nº x mm2 / A	4 x 25 / 80A	3 x 1,5 / 20A	4 x 25 / 80A	3 x 1,5 / 20A
Tension 400V - III + N + T	Nº x mm2 / A	5 x 10 / 40A	3 x 1,5 / 20A	5 x 10 / 40A	3 x 1,5 / 20A
DIMENSIONS / PACKING DIMENSIONS					
Net width / Gross width	in	31 / 34	31 / 34		
Net Depth / Gross Depth	in	38.25 / 41.50	49 / 52		
Net Height / Gross Height	in	78 / 84	78 / 84		
Net weight / Gross weight	lb	260/268	290/303		
OTHERS					
Max airflow	CFU	589	589		
Ø Duct Size	in	8	8		
Sound level	dB	64	64		

* It may vary depending on the type of heating, filter cleanliness or extraction type.



	A	B	C1	C2	D	E	F	G	H	I	J	K	L	M
FD2-25	78	67	10	48.50	63.75	5.25	31	38.25	29	64	40.50	22.50	55.25	1.50
FD2-35	78	67	10	48.50	63.75	5.25	31	49	29	64	40.50	22.50	55.25	1.50





DRYING

STACK DRYERS ADVANCE FD-50 TP2



CHARACTERISTICS

TP2

- 7" touchscreen, user friendly and totally programmable.
- Videos on display, ads, instructions.
- Free software for programming, telemetry, data analysis.
- USB Connection.
- 37 Languages.
- 8 dosing signals.

OUTSTANDING FEATURES

- Reversing drum action is standard.
- Galvanized drum is standard.
- Frequency inverter is standard.

EFFICIENCY

- MIXED FLOW - mixed axial-radial airflow.

VERSATILITY

- Make to order - customization.
- Wet Cleaning configuration.
- OPL > COIN - Standard OPL model easily transformable to coin laundry uses.

CONNECTIVITY

- Standard IoT FagorKconnect.
- Management of laundries: OPL and COIN.

ERGONOMICS

- Lint Filter Drawer, stainless steel mesh.
- Large Loading Doors.

MAINTENANCE

- Hinged panel: easy and ergonomic access.
- Technical menu: statistics for technicians.

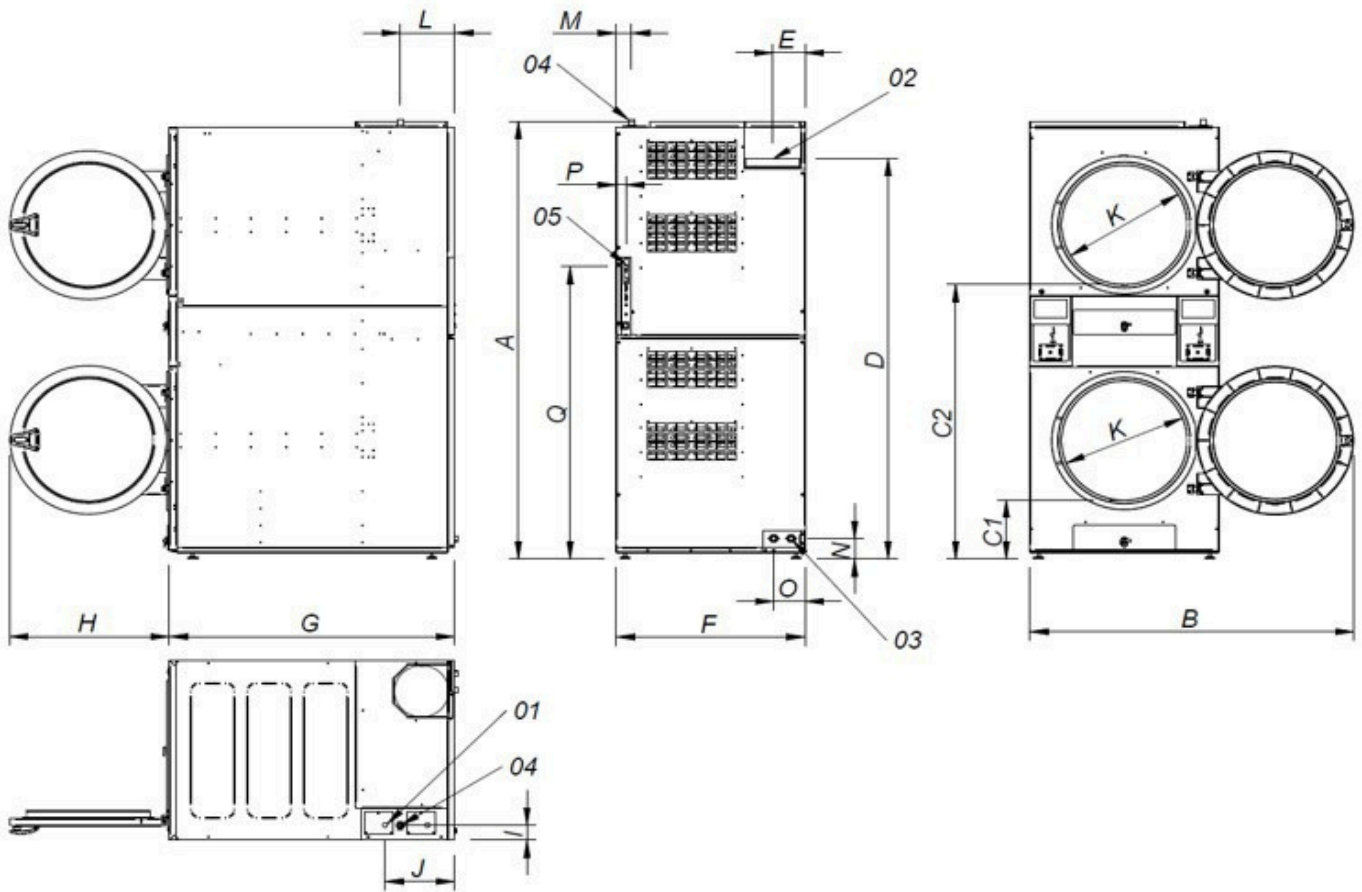
OTHERS

- Grey skinplate outer casing, stainless steel look.
- SOFT TOUCH - drum with stamped holes.
- COOL DOWN - anti-wrinkle at the end of the cycle.
- Heating options: natural gas and propane
- CE approved.

OPTIONS

- iDRY - Intelligent humidity control.
- Temperature probe at drum inlet.
- Double door glass.
- FK - Integrated Fire Extinguishing System.
- Tropicalized model.
- Opposite door opening.
- Dosing-spraying.
- Back panel external air + filter.
- Lint filter with grid 0,01 In (standard in STACK is 0,02 In) .
- Stainless steel front and side panels.
- Stainless steel frontal panel.

CAPACITY		U.	FD-2-50 TP2
Capacity 1/18	Kg		24.3 x 2
	Lb		53.6 x 2
Capacity 1/20	Kg		21.9 x 2
	Lb		48.3 x 2
DRUM			
Ø Drum	mm		835
	inch		32.87
Drum length	mm		800
	inch		31.5
Drum volume	l cu		440
	ft		15.54
Ø Door	mm		575
	inch		22.64
Floor to door center	mm		574 / 1618
	inch		22.60 / 63.70
Floor to lower part of the door	mm		214 / 1258
	inch		8.46/49.53
Drum motor power	kW		0.37 x 2
GAS POWER			
Installed heating power gas	kcal/h		26139 x 2
	Btu/h		103658.5 x 2
Installed heating power gas	kW		30.4 x 2
Installed electrical power	Kw		1.94
Instant propane gas consumption (G31)	Kg/h		2.61 x 2
	Lb/h		5.75 x 2
Instant natural gas consumption (G20)	m³/h		3.22 x 2
	cfm		1.89 x 2
Evaporation capacity	l/h		44
	USgallon/h		11.624
Hourly output Ø	Kg/h		88
	Lb/h		194
Gas inlet	BSP ISO 228-1		3/4"
VENTILATION			
Nominal air flow	m³/h		900 x 2
	cfm		529.72 x 2
Air outlet Ø Fan motor	mm		250
	inch		9.84
power	kW		0.55 x 2
HEAT DISSIPATION			
Total max heat dissipation	kW		2.6
	Btu/h		8876.8
Front pannel max heat dissipation	kW		1.9
	Btu/h		6486.9
CONNECTIONS		GAS	
Voltage 120/60/1~ I + G	Nº x AWG / A		6 X 10 / 20 A
Voltage 230V - 3~ + G	-		-
Voltage 480V - 3~ + G	-		-
DIMENSIONS / PACKING DIMENSIONS			
Net width / Gross width	mm		870 / 950
	inch		34.25 / 37.4
Net depth / Gross depth	mm		1312 / 1395
	inch		51.65 / 54.92
Net height / Gross height	mm		2118 / 2250
	inch		83.39 / 88.58
Net weight / Gross weight	Kg		373.5 / 388.5
	Lb		823.43 / 856.50
OTHERS			
Sound level	dB		64



- 01. Power supply
- 02. Fumes output Ø250
- 03. 2 Sprinkler valves 3/4"
- 04. Gas inlet 3/4"
- 05. Ethernet connection

	A	B	C1	C2	D	E	F	G	H	I	J	K	L	M	N	O	P	Q
FD-2-50 TP2	83.38	58.66	11.25	52.36	76.37	5.84	34.25	51.65	28.93	2.87	12.56	22.63	9.84	2.7	3.93	5.70	1.77	55.74



Call: (503) 678-1699
info@casadialaundry.com
 PO Box 433 Donald, OR 97020



TUMBLE DRYERS | GREEN EVOLUTION



FAGOR INDUSTRIAL



FD 25-35-50 GREEN EVOLUTION

THE PERFECT BALANCE BETWEEN
QUALITY AND PRICE.



FEATURES

- Auto-reverse Drum: the drying process is more efficient; offers better uniformity; avoiding the tangling of big pieces.
 - Frequency inverter: controls rotating speed and reverse drum action.
 - Filter drawer with wide surface and improved airflow made of stainless steel.
 - Outer casing in grey skin-plate, stainless steel look.
 - Stainless Steel Drum.
- 3 different ranges:
 - "MP Control" range: easy and intuitive electronic control offers a complete control of the process: possibility to select required drum speed, statistics control, technical menu, alarms, etc. 10 standard programs that can be modified.
 - "M Control" range: easy to use analogic control with time and temperature selection.
 - "Self-Service" range: specific MP control for the self-service industry with several payment options: central payment, coin/token or with prepaid card systems.
 - Soft Touch: the stamped drum perforations make sure the liner is gently handled, lengthening the garments lifetime.
 - Mixed Flow: the system of mixed axial-radial airflow increases the efficiency of the whole drying process due to the improvement of the air-flow inside the drum.
 - Big loading door (opening of 180°).
 - Transmission of movement by gear motor (direct drive).
 - Cool Down: anti-wrinkle at the end of cycle.

Models available in electric, gas or steam heating.

OPTIONS:

- iDRY (MP Control models only): humidity sensor that offers a precise humidity control; by this system the drying cycle will automatically stop when it reaches the set level of residual humidity.
- Fire Care System (MP Control models only).
- Double door-glass.
- Stainless steel body.
- Stainless steel front panel.
- Low pressure steam battery.
- Model versions in 60 Hz.
- Marine versions 440V III 50/60 Hz No neutral or 480V III 50/60 Hz No neutral.



Call: (503) 678-1699

info@cascadia-laundry.com

PO Box 433 Donald, OR 97020



www.fagorcommercial.com

FAGOR COMMERCIAL, INC.

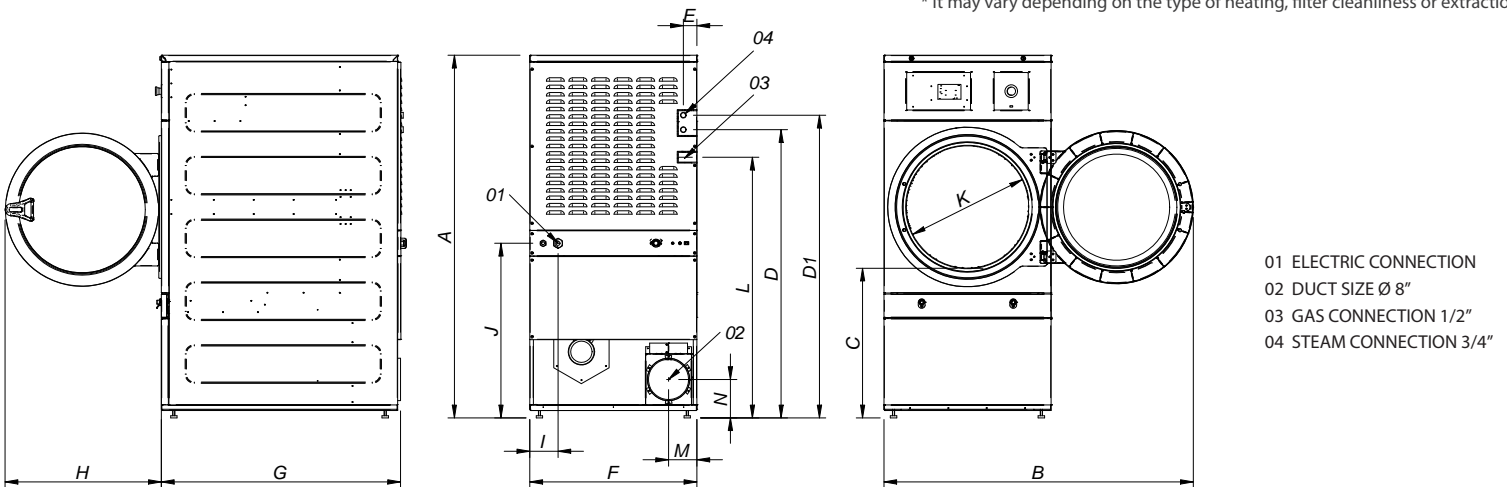
13105 NW 47th Ave
Opa-locka 33054

Phone (305) 779 0170
us.marketing@onnergroupp.com



TECHNICAL DATA	UNIT.	FD- 25	FD - 35	FD- 50			
CAPACITY							
Capacity 1/18	lb	26	40	60			
Capacity 1/20	lb	25	35	50			
Hourly Output *	lb/h	62/ 6	68 / 9	88 / 6			
Evaporation Capacity *	l/h	14,5	16,3	20,4			
DRUM							
Ø Drum	in	29.50	29.50	33			
Ø Door	in	22.50	22.50	22.50			
Door Center Height	in	38.50	38.50	40.50			
Door Bottom Height	in	27	27	29.25			
Drum Depth	in	18.70	29.30	31.50			
Drum Volume	CuFt	7	12	17			
POWER							
Drum motor power	HP	1	1	1			
Fan motor power	HP	0.33	0.33	0,75			
Electric heating power	kw	16	24	32			
Total electric power (elec.model)	kw	16.99	25.03	33.48			
Gas heating power	BTU	93,834	93,834	141,843			
Total electric power (gas model)	kw	0.89	0.89	1.3			
Steam heating power	kw	40	40	66			
Steam heating power (gas model)	kw	0.89	0,89	1.3			
CONNECTIONS		ELECTRICAL	STEAM / GAS	ELECTRICAL	STEAM / GAS	ELECTRICAL	STEAM / GAS
Tension 120 V - I / 230V - I + N + T	Nº x mm2 / A	3 x 35 / 63A	3 x 1,5 / 20A	-	3 x 1,5 / 20A	-	3 x 1,5 / 20A
Tension 230V - III + T	Nº x mm2 / A	4 x 10 / 40A	3 x 1,5 / 20A	4 x 16 / 63A	3 x 1,5 / 20A	4 x 25 / 80A	3 x 1,5 / 20A
Tension 400V - III + N + T	Nº x mm2 / A	5 x 4 / 25A	3 x 1,5 / 20A	5 x 10 / 32A	3 x 1,5 / 20A	5 x 10 / 40A	3 x 1,5 / 20A
Ø Gas inlet	BSP	1/2"		1/2"		1/2"	
Ø Steam inlet	BSP	3/4"		3/4"		1"	
Ø Condensed (Steam models)	BSP	3/4"		3/4"		1"	
DIMENSIONS / PACKING DIMENSIONS							
Net Width / Gross Width	in	31 / 34		31 / 34		35 / 38	
Net Depth / Gross Depth	in	33 / 37		44 / 48		49 / 53	
Net Height / Gross Height	in	67 / 73		67 / 73		71 / 76	
Height without heating battery	in	-		-		-	
Net weight / Gross weight	lb	379 / 396		412 / 440		462 / 485	
OTHERS							
Max airflow	CFM	500		500		706	
Ø Duct Size	in	8		8		8	
Sound level	dB	64		64		65	

* It may vary depending on the type of heating, filter cleanliness or extraction type.



	A	B	C	D	D1	E	F	G	H	I	J	K	L	M	N
FD-25	67	57	27	54	56	3	31	34	29	3.75	33	23	48.25	5.25	7
FD-35	67	57	27	54	56	3	31	44.25	29	3.75	33	23	48.25	5.25	7
FD-50	71	61	29.25	56.25	60.25	4.50	35	49.50	29	8	34	23	53	5.25	7





TUMBLE DRYERS | GREEN EVOLUTION



FD 65-80 GREEN EVOLUTION

THE PERFECT BALANCE BETWEEN
QUALITY AND PRICE.

- Mixed Flow
- MP Control
- Autoreverse DRUM
- Stainless Steel DRUM
- SOFT TOUCH

FEATURES

- Auto-reverse Drum: the drying process is more efficient; offers better uniformity; avoiding the tangling of big pieces.
- Frequency inverter: controls rotating speed and reverse drum action.
- Filter drawer with wide surface and improved airflow made of stainless steel.
- Outer casing in grey skin-plate, stainless steel look.
- Stainless Steel Drum.
- 3 different ranges:
 - "MP Control" range: easy and intuitive electronic control offers a complete control of the process: possibility to select required drum speed, statistics control, technical menu, alarms, etc. 10 standard programs that can be modified.
 - "M Control" range: easy to use analogic control with time and temperature selection.
 - "Self-Service" range: specific MP control for the self-service industry with several payment options: central payment, coin/token or with prepaid card systems.
- Soft Touch: the stamped drum perforations make sure the liner is gently handled, lengthening the garments lifetime.
- Mixed Flow: the system of mixed axial-radial airflow increases the efficiency of the whole drying process due to the improvement of the air-flow inside the drum.
- Big loading door (opening of 180°).
- Transmission of movement by gear motor (direct drive).
- Cool Down: anti-wrinkle at the end of cycle.

Models available in electric, gas or steam heating.

OPTIONS:

- iDRY (MP Control models only): humidity sensor that offers a precise humidity control; by this system the drying cycle will automatically stop when it reaches the set level of residual humidity.
- Fire Care System (MP Control models only).
- Double door-glass.
- Stainless steel body.
- Stainless steel front panel.
- Low pressure steam battery.
- Model versions in 60 Hz.
- Marine versions 440V III 50/60 Hz
No neutral or 480V III 50/60 Hz
No neutral.


Call: (503) 678-1699
info@cascadialaundry.com
PO Box 433 Donald, OR 97020

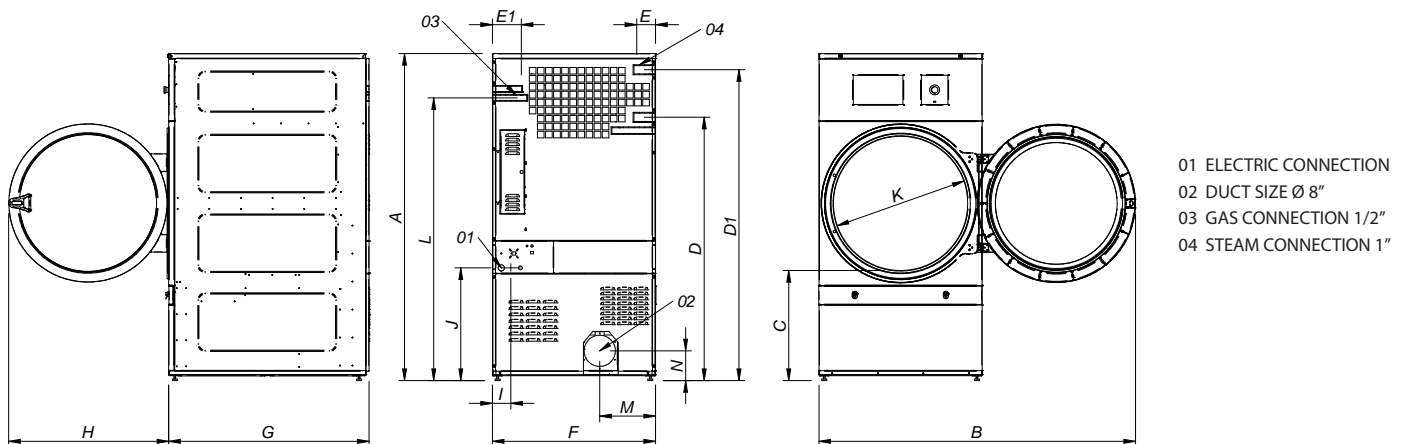


www.fagorcommercial.com



TECHNICAL DATA	UNIT.	FD- 65	FD- 80		
CAPACITY					
Capacity 1/18	lb	70	80		
Capacity 1/20	lb	60	75		
Hourly Output *	lb/h	59,3	138 / 9		
Evaporation capacity *	l/h	30,9	32,1		
DRUM					
Ø Drum	in	37.25	37.25		
Ø Door	in	31.50	31.50		
Door center height	in	41	41		
Load hole bottom height	in	64.50	64.50		
Drum length	in	30.75	36.85		
Drum volume	CØFt	19	23		
POWER					
Drum motor power	HP	0,75	0,75		
Fan motor power	HP	0,75	0,75		
Electric heating power	Kw	30	36		
Total electric power (elec.model)	Kw	31,15	37,15		
Gas heating power	BTU	139898	139898		
Total electric power (gas model)	Kw	1,15	1,15		
Steam heating power	kw	50,1	50,1		
Steam heating power (gas model)	kw	1,15	1,15		
CONNECTIONS		ELECTRICAL	STEAM / GAS	ELECTRICAL	STEAM / GAS
Tension 120 V - I / 230V - I + N + T	Nº x mm2 / A	-	3 x 1,5 / 20A	-	3 x 1,5 / 20A
Tension 230V - III + T	Nº x mm2 / A	4 x 35 / 100A	3 x 1,5 / 20A	4 x 50 / 125A	3 x 1,5 / 20A
Tension 400V - III + N + T	Nº x mm2 / A	5 x 16 / 63A	3 x 1,5 / 20A	5 x 16 / 63A	3 x 1,5 / 20A
Ø Gas inlet	BSP	1/2"		1/2"	
Ø Steam inlet	BSP	1"		1"	
Ø Condensed (Steam models)	BSP	1"		1"	
DIMENSIONS / PACKING DIMENSIONS					
Net Width / Gross Width	in	38.75 / 42		38.75 / 42	
Net Depth / Gross Depth	in	41.50 / 45.50		47.60 / 51.60	
Net Height / Gross Height	in	76.60 / 82		76.60 / 82	
Height without heating battery	in	-		-	
Net weight / Gross weight	lb	507 / 573		573 / 628	
OTHERS					
Max airflow	CFM	706		706	
Ø Duct Size	in	8		8	
Sound level	dB	65		65	

* It may vary depending on the type of heating, filter cleanliness or extraction type.



	A	B	C	D	D1	E	E1	F	G	H	I	J	K	L	M	N
FD-65	76.60	75	25	62.60	74	4.50	6.85	38.75	41.50	37.75	4.30	26.75	31.60	67.25	13.35	7
FD-80	76.60	75	25	62.60	74	4.50	6.85	38.75	47.60	37.75	4.30	26.75	31.60	67.25	13.35	7

