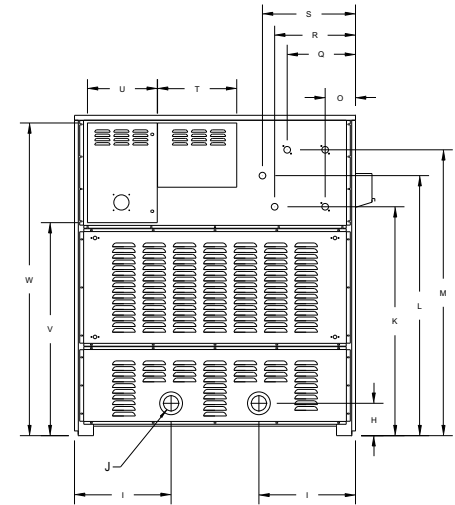
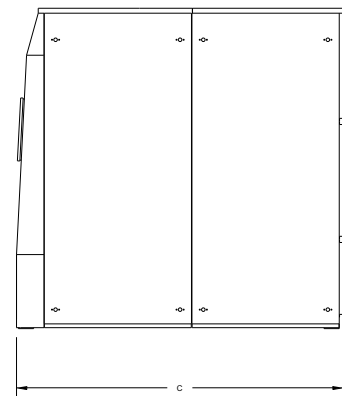
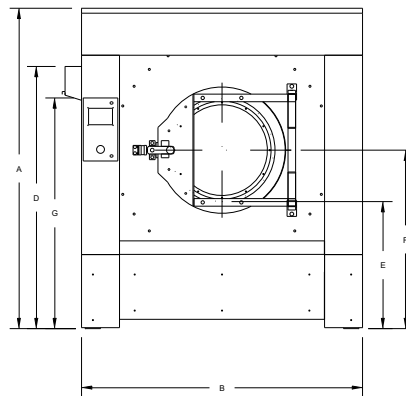
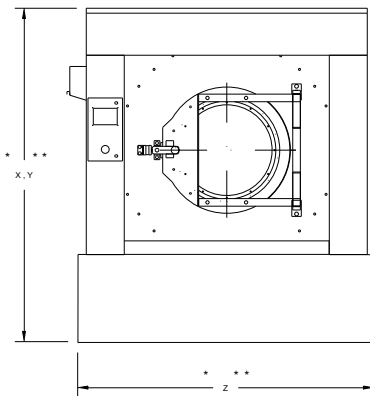
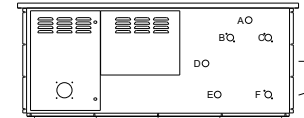


A



* One-way Tilt
** Two-way Tilt



Electrical Requirements

Voltage	Phase	System Wire	Wire Size	Amps	Breaker
208-240VAC, 50/60Hz, 3PH	3	3 + GND	10ga	21	30
380-460VAC, 50/60Hz, 3PH	3	3 + GND	10ga	11	15

Drain Requirements

Connection Size		Discharge Rate		Min Sewer Line	
inches	mm	gal/min	liters/min	inches	mm
4	102	150	560	5	127

Water Requirements

Water						Flow Rate (@45PSI/3Bar)		Minimum Supply Line Size		Max Operating Pressure	
Connection Size		Line Pressure		Max Temp		gal/min	liter/min	US	Metric	US	Metric
US	Metric	PSI	Bar	F	C						
1"	DN 25	30-75	2-5	200	93	30	113	1-1/4	DN 32	125 PSI	8 Bar

Steam Requirements

Steam				Minimum Supply Line Size		Max Operating Pressure	
Connection Size		Line Pressure		US	Metric	US	Metric
US	Metric	PSI	Bar	US	Metric	US	Metric
3/4"	DN 19	30-75	2-5	3/4"	DN 19	100 PSI	6 Bar

Compressed Air

Connection Size		Consumption		Pressure	
US	Metric	US	Metric	US	Metric
3/8" NPT		0.5CFM	0.01 CMM	80-100 PSI	5.5-5.7 BAR

Dynamic Load Specifications

Static floor load		Static pressure		Total Dynamic Load		Dynamic pressure		Dynamic Frequency
kN	lbs	kN/m2	lbs/ft2	kN	lbs	kN/m2	lbs/ft2	Hz
22.4	5041	9.0	188	6.251677153	1405.193	2.5	52	13

Shipping Data


Type	lbs	kg	cu ft	cu m
Domestic	4400	2000	176.1	5
Export	4470	2032	176.1	5

A - AIR VENT
B - HOT WATER INLET
C - COLD WATER INLET
D - MAIN POWER VIA
E - COMPRESSED AIR
F - STEAM INLET

Dimensions

Ref	Inch	mm
A	68.25	1734
B	62.75	1594
C	69.25	1759
D	59	1499
E	30.25	768
F	40.25	1022
G	56.5	1435
H	8.5	216
I	19.75	502
J	4	102
K	50	1270
L	54.5	1384
M	59.75	1518
N	--	--
O	7.75	197
P	--	--
Q	17.5	445
R	20.25	514
S	23.5	597
T	16.5	419
U	12.75	324
V	47.5	1207
W	65.75	1670
X	71	1803
Y	74	1880
Z	65.5	1664

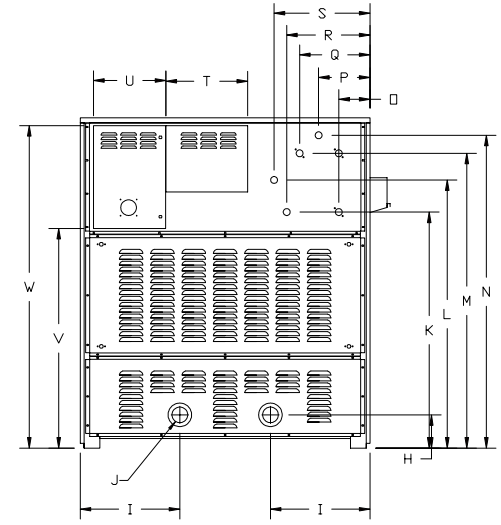
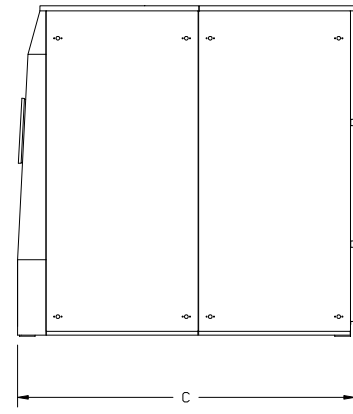
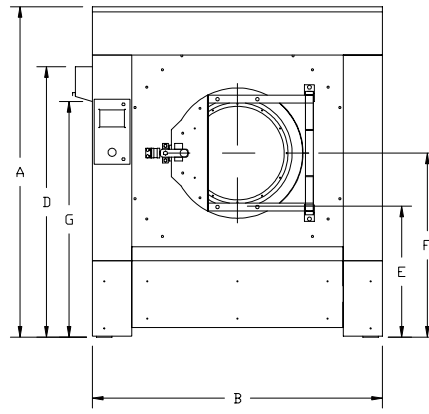
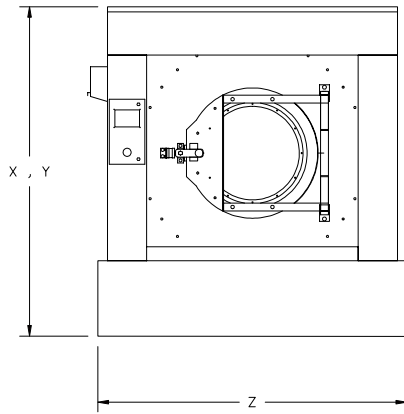
REV	BY	DATE	REV. DESCRIPTION
A1	AFA	12-4-2009	Created

DRAWN BY A. Adcock	DATE 12-4-2009		Panama City, FL Phone: 850-249-2222 Fax: 850-249-2226 www.bandctech.com
CHECKED BY S. Brown	DATE 12-4-2009		

DESCRIPTION	General Technical Specifications SI-110
-------------	---

DATE 12-4-2009	FILE NAME SI-110GenSpec.cdr	SHEET 1 OF 1
-------------------	--------------------------------	-----------------

A



* Single Tilt
 ** 2 Way T

Electrical Requirements

Voltage	Phase	System Wire	Wire Size	Amps	Breaker
208-240VAC, 50/60Hz, 3PH	3	3 + GND	8ga	32	40
380-460VAC, 50/60Hz, 3PH	3	3 + GND	10ga	16	20

Drain Requirements

Connection Size		Discharge Rate		Min Sewer Line	
inches	mm	gal/min	liters/min	inches	mm
4	102	150	560	5	127

Water Requirements

Water				Flow Rate (@45PSI/3Bar)		Minimum Supply Line Size		Max Operating Pressure			
Connection Size		Line Pressure		Max Temp		Flow Rate		Minimum Supply Line Size		Max Operating Pressure	
US	Metric	PSI	Bar	F	C	gal/min	liter/min	US	Metric	US	Metric
1-1/4"	DN 32	30-75	2-5	200	93	37	140	1-1/2	DN 38	125 PSI	8 Bar

Steam Requirements

Steam				Minimum Supply Line Size		Max Operating Pressure	
Connection Size		Line Pressure		Line Size		Pressure	
US	Metric	PSI	Bar	US	Metric	US	Metric
3/4"	DN 19	30-75	2-5	3/4"	DN 19	100 PSI	6 Bar

Compressed Air

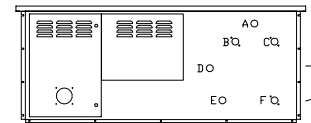
Connection Size		Consumption		Pressure	
US	Metric	US	Metric	US	Metric
3/8" NPT		0.5CFM	0.01 CMM	80-100 PSI	5.5-5.7 BAR

Dynamic Load Specifications

Static floor load		Static pressure		Total Dynamic Load		Dynamic pressure		Dynamic Frequency
kN	lbs	kN/m2	lbs/ft2	kN	lbs	kN/m2	lbs/ft2	Hz
27.4	6154	9.3	194	7.703554596	1731.533	2.6	55	12.1

Shipping Data


Type	lbs	kg	cu ft	cu m
Domestic	5355	2434	228.0	6.5
Export	5425	2466	228.0	6.5



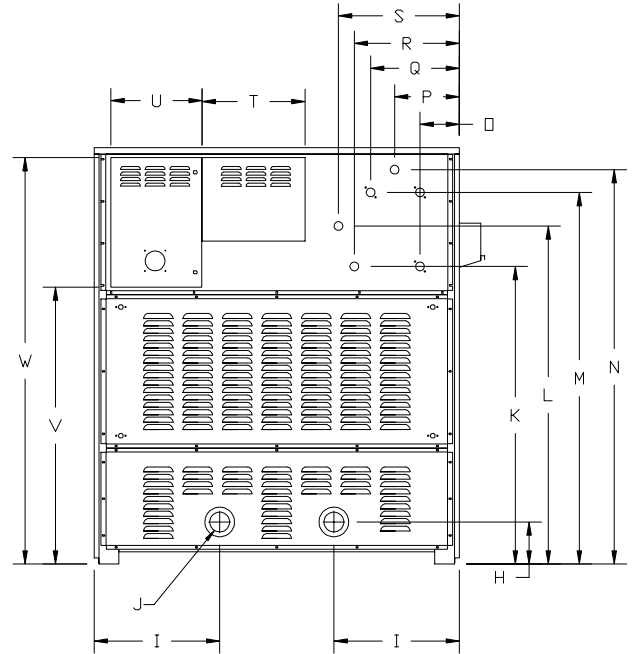
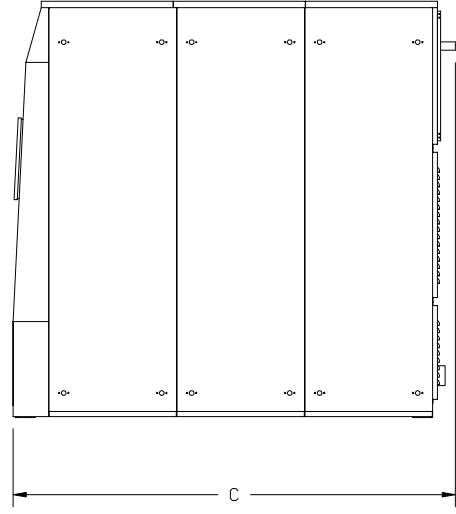
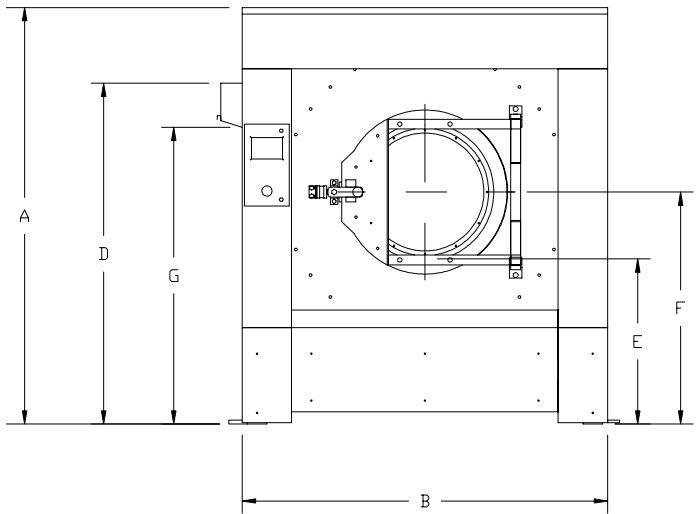
A - AIR VENT
 B - HOT WATER INLET
 C - COLD WATER INLET
 D - MAIN POWER VIA
 E - COMPRESSED AIR
 F - STEAM INLET

Dimensions

Ref	Inch	mm
A	75.5	1918
B	71	1803
C	71.25	1810
D	63.5	1613
E	33.25	845
F	45.5	1156
G	61.5	1562
H	8.5	216
I	22.5	572
J	4	102
K	53	1346
L	--	--
M	63.5	1613
N	69.25	1759
O	6	152
P	11	279
Q	15.75	400
R	21.75	552
S	--	--
T	21	533
U	15.75	400
V	48.5	1232
W	72.25	1835
X	77.75	1975
Y	80.75	2051
Z	72	1829

REV A1	BY AFA	DATE 12-4-2009	REV. DESCRIPTION Created
DRAWN BY A. Adcock		DATE 12-4-2009	 Panama City, FL Phone: 850-249-2222 Fax: 850-249-2226 www.bandctech.com
CHECKED BY S. Brown		DATE 12-4-2009	
DESCRIPTION General Technical Specifications SI-135			
DATE 12-4-2009	FILE NAME SI-135GenSpec.cdr	SHEET 1 OF 1	

A



Electrical Requirements

Voltage	Phase	System Wire	Wire Size	Amps	Breaker
208-240VAC, 50/60Hz, 3PH	3	3 + GND	6ga	58	60
380-460VAC, 50/60Hz, 3PH	3	3 + GND	8ga	29	30
Average Consumption, kW-hr per load				1.64	

Drain Requirements

Connection Size		Discharge Rate		Min Sewer Line	
inches	mm	gal/min	liters/min	inches	mm
4	102	150	560	5	127

Water Requirements

Water				Flow Rate (@45PSI/3Bar)		Minimum Supply Line Size		Max Operating Pressure			
Connection Size	Line Pressure	Max Temp		gal/min	liter/min	US	Metric	US	Metric		
US	Metric	PSI	Bar	F	C						
1-1/4"	DN 32	30-75	2-5	200	93	37	140	1-1/2	DN 38	125 PSI	8 Bar

Steam Requirements

Steam				Minimum Supply Line Size		Max Operating Pressure	
Connection Size	Line Pressure	Max Temp		US	Metric	US	Metric
US	Metric	PSI	Bar	US	Metric	US	Metric
1"	DN 25	30-75	2-5	1"	DN 19	100 PSI	6 Bar

Compressed Air

Connection Size		Consumption		Pressure	
US	Metric	US	Metric	US	Metric
3/8" NPT		0.5CFM	0.01 CMM	80-100 PSI	5.5-5.7 BAR

Dynamic Load Specifications

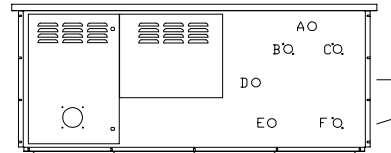
Static floor load		Static pressure		Total Dynamic Load		Dynamic pressure		Dynamic Frequency
kN	lbs	kN/m2	lbs/ft2	kN	lbs	kN/m2	lbs/ft2	Hz
39.5	8875	11.0	229	11.38143009	2558.211	3.2	66	11.7

Shipping Data

Type	lbs	kg	cu ft	cu m
Domestic	7675	3489	318.9	9
Export	7765	3530	318.9	9

Dimensions

Ref	Inch	mm
A	78	1981
B	67	1702
C	85	2159
D	65	1651
E	34.25	870
F	46.25	1175
G	64.5	1638
H	8.5	216
I	22	559
J	4	102
K	56.25	1429
L	64.25	1632
M	66.75	1695
N	72.75	1848
O	6.5	165
P	11.25	286
Q	16.5	419
R	21.25	540
S	24.5	622
T	20.25	514
U	17.25	438
V	50.75	1289
W	76.5	1943
X	81	2057
Y	84	2134
Z	71	1803



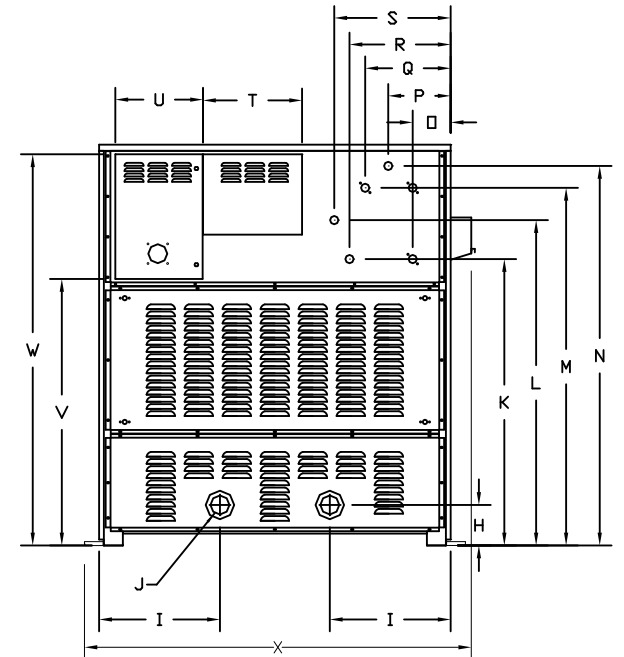
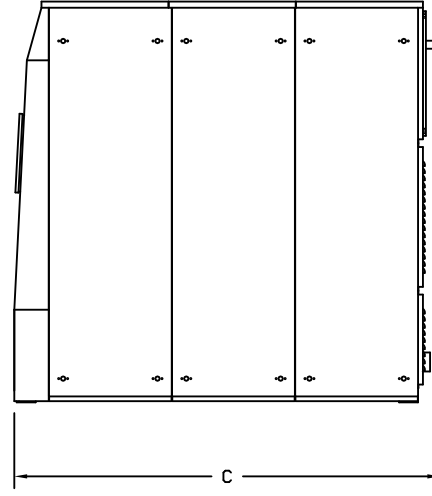
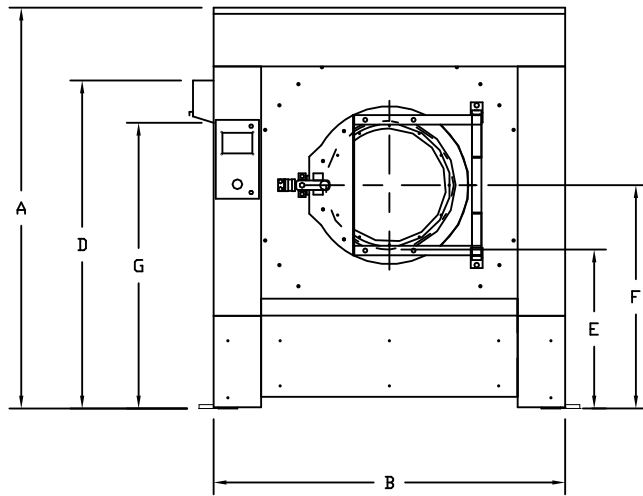
- A - AIR VENT
- B - HOT WATER INLET
- C - COLD WATER INLET
- D - MAIN POWER VIA
- E - COMPRESSED AIR
- F - STEAM INLET

REV	BY	DATE	REV. DESCRIPTION
A2	AFA	12-4-2021	Updated Electrical Specs

DRAWN BY A. Adcock	DATE 12-4-2009		Panama City, FL Phone: 850-249-2222 Fax: 850-249-2226 www.bandctech.com
CHECKED BY S. Brown	DATE 12-4-2009		

DESCRIPTION General Technical Specifications SI-200		
DATE 12-4-2009	FILE NAME SI-200GenSpec.cdr	SHEET 1 OF 1

A



Electrical Requirements

Voltage	Phase	System Wire	Wire Size	Amps	Breaker
208-240VAC, 50/60Hz, 3PH	3	3 + GND	6ga	79	80
380-460VAC, 50/60Hz, 3PH	3	3 + GND	8ga	39	40

Drain Requirements

Connection Size		Discharge Rate		Min Sewer Line	
inches	mm	gal/min	liters/min	inches	mm
4	102	150	560	5	127

Water Requirements

Water				Flow Rate (@45PSI/3Bar)		Minimum Supply Line Size		Max Operating Pressure			
Connection Size		Line Pressure		Max Temp		Flow Rate		Minimum Supply Line Size		Max Operating Pressure	
US	Metric	PSI	Bar	F	C	gal/min	liter/min	US	Metric	US	Metric
1-1/4"	DN 32	30-75	2-5	200	93	37	140	1-1/2	DN 38	125 PSI	8 Bar

Steam Requirements

Steam				Minimum Supply Line Size		Max Operating Pressure	
Connection Size		Line Pressure		Line Size		Pressure	
US	Metric	PSI	Bar	US	Metric	US	Metric
1"	DN 25	30-75	2-5	1"	DN 19	100 PSI	6 Bar

Compressed Air

Connection Size		Consumption		Pressure	
US	Metric	US	Metric	US	Metric
3/8" NPT		0.5CFM	0.01 CMM	80-100 PSI	5.5-5.7 BAR

Dynamic Load Specifications

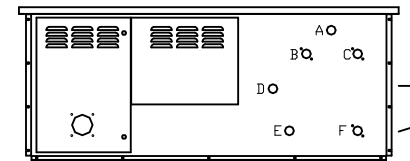
Static floor load		Static pressure		Total Dynamic Load		Dynamic pressure		Dynamic Frequency
kN	lbs	kN/m2	lbs/ft2	kN	lbs	kN/m2	lbs/ft2	Hz
49.3	11077	11.6	243	15.726672251	3534.894	3.7	77	11

Shipping Data

Type	lbs	kg	cu ft	cu m
Domestic	9460	4300	363.2	10.3
Export	9560	4345	363.2	10.3

Dimensions

Ref	Inch	mm
A	85	2159
B	74.25	1886
C	89	2261
D	69.5	1765
E	36.5	927
F	51.75	1314
G	61.5	1562
H	8.5	216
I	25.75	654
J	4	102
K	61.5	1562
L	71.5	1816
M	73	1854
N	79.5	-
O	5.75	146
P	10.75	-
Q	15.75	400
R	21.5	546
S	30	762
T	19.75	502
U	18.75	476
V	56.75	1441
W	82.5	2096
X	80	2032
Y		0
Z		0



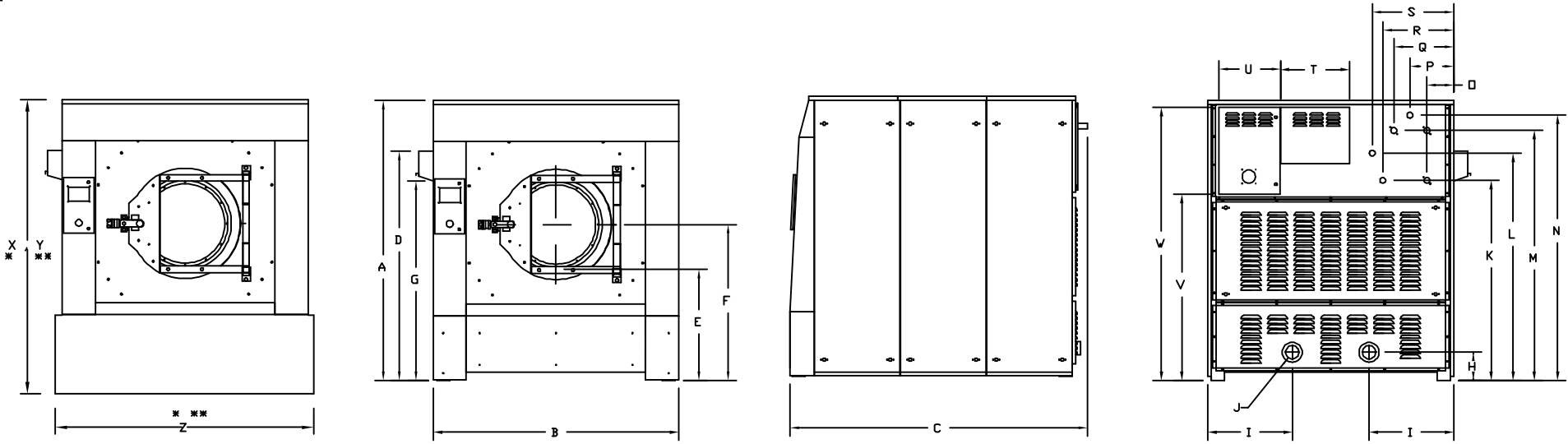
- A - AIR VENT
- B - HOT WATER INLET
- C - COLD WATER INLET
- D - MAIN POWER VIA
- E - COMPRESSED AIR
- F - STEAM INLET

REV	BY	DATE	REV. DESCRIPTION
A1	AFA	12-4-2009	Created

DRAWN BY A. Adcock	DATE 12-4-2009		Panama City, FL Phone: 850-249-2222 Fax: 850-249-2226 www.bandctech.com
CHECKED BY S. Brown	DATE 12-4-2009		

DESCRIPTION General Technical Specifications SI-275		
DATE 12-4-2009	FILE NAME SI-275GenSpec.cdr	SHEET 1 OF 1

A



* One-way Tilt
 ** Two-way Tilt

Electrical Requirements

Voltage	Phase	System Wire	Wire Size	Amps	Breaker
208-240VAC, 50/60Hz, 3PH	3	3 + GND	6ga	89	90
380-460VAC, 50/60Hz, 3PH	3	3 + GND	8ga	45	50

Drain Requirements

Connection Size		Discharge Rate		Min Sewer Line	
inches	mm	gal/min	liters/min	inches	mm
4	102	150	560	5	127

Water Requirements

Water				Flow Rate (@45PSI/3Bar)		Minimum Supply Line Size		Max Operating Pressure			
Connection Size		Line Pressure		Max Temp		US	Metric	US	Metric		
US	Metric	PSI	Bar	F	C	gal/min	liter/min				
1-1/4"	DN 32	30-75	2-5	200	93	37	140	1-1/2	DN 38	125 PSI	8 Bar

Steam Requirements

Steam				Minimum Supply Line Size		Max Operating Pressure	
Connection Size		Line Pressure		US	Metric	US	Metric
US	Metric	PSI	Bar	US	Metric	US	Metric
1"	DN 25	30-75	2-5	1"	DN 19	100 PSI	6 Bar

Compressed Air

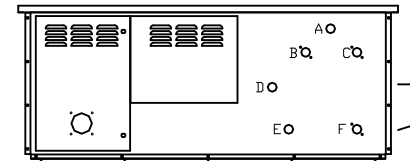
Connection Size		Consumption		Pressure	
US	Metric	US	Metric	US	Metric
3/8" NPT		0.5CFM	0.01 CMM	80-100 PSI	5.5-5.7 BAR

Dynamic Load Specifications

Static floor load		Static pressure		Total Dynamic Load		Dynamic pressure		Dynamic Frequency
kN	lbs	kN/m2	lbs/ft2	kN	lbs	kN/m2	lbs/ft2	Hz
54.4	12218	12.3	256	17.15636973	3856.248	3.9	81	11

Shipping Data


Type	lbs	kg	cu ft	cu m
Domestic	10435	4743	388.6	11
Export	40560	18436	388.6	11



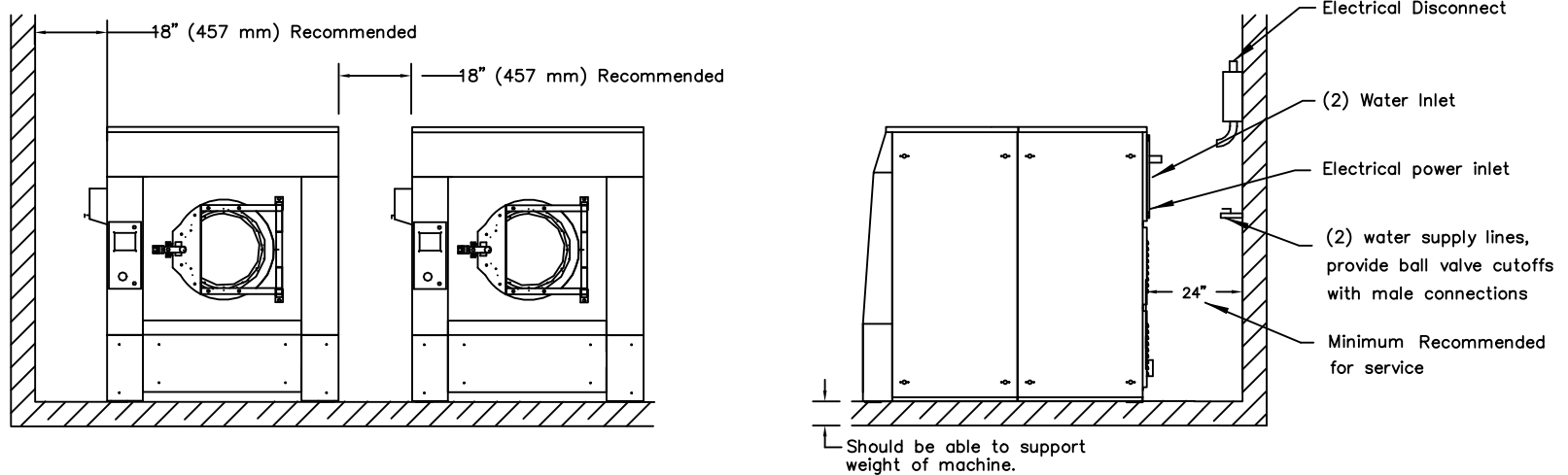
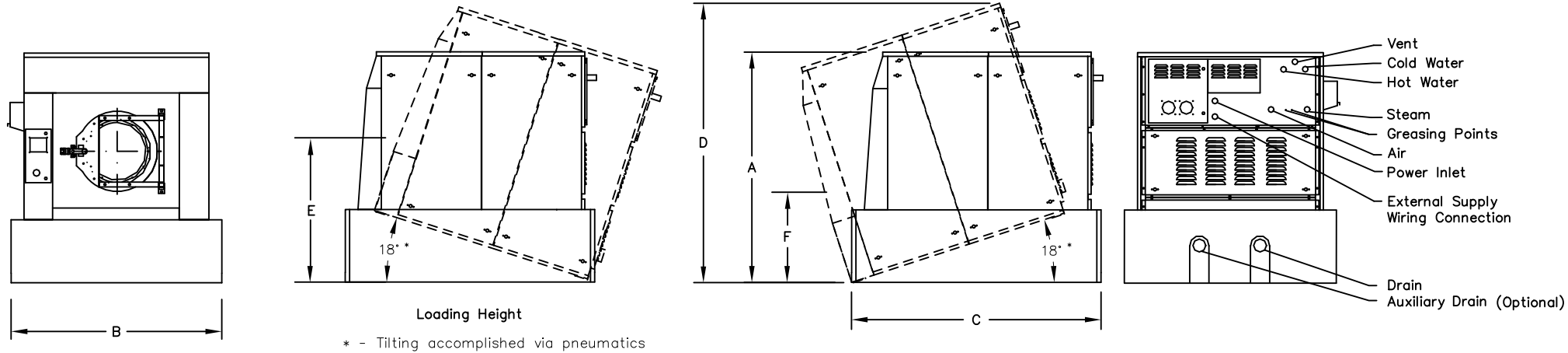
- A - AIR VENT
- B - HOT WATER INLET
- C - COLD WATER INLET
- D - MAIN POWER VIA
- E - COMPRESSED AIR
- F - STEAM INLET

Dimensions

Ref	Inch	mm
A	85	2159
B	74.25	1886
C	93	2362
D	39.5	1003
E	36.5	927
F	51.75	1314
G	61.5	1562
H	8.5	216
I	25.75	654
J	4	102
K	61.5	1562
L	71.5	1816
M	73	1854
N	79.5	--
O	5.75	146
P	10.75	--
Q	15.75	400
R	21.5	546
S	30	762
T	19.75	502
U	18.75	476
V	56.75	1441
W	82.5	2096
X	88	2235
Y	91	2311
Z	84	2134

REV	BY	DATE	REV. DESCRIPTION
A1	AFA	12-4-2009	Created
DRAWN BY		DATE	 Panama City, FL Phone: 850-249-2222 Fax: 850-249-2226 www.bandctech.com
A. Adcock		12-4-2009	
CHECKED BY		DATE	
S. Brown		12-4-2009	
DESCRIPTION			
General Technical Specifications			
SI-300			
DATE	FILE NAME	SHEET	
12-4-2009	SI-300GenSpec.cdr	1 OF 1	

B&C SI SERIES TILT GENERAL DIMENSIONS & RECOMMENDED CLEARANCES



	SI-110 1-Way Tilt		SI-110 2-Way Tilt		SI-135 1-Way Tilt		SI-135 2-Way Tilt		SI-200 1-Way Tilt		SI-200 2-Way Tilt		SI-275 1-Way Tilt		SI-275 2-Way Tilt		SI-300 1-Way Tilt		SI-300 2-Way Tilt	
	INCH	MM	INCH	MM	INCH	MM	INCH	MM	INCH	MM	INCH	MM	INCH	MM	INCH	MM	INCH	MM	INCH	MM
A	71	1803	74	1880	77.75	1975	80.75	2051	82	2083	86	2184	89	2261	93	2362	89	2261	93	2362
B	65.5	1664	65.5	1664	72	1829	72	1829	77	1956	77	1956	84	2133	84	2133	84	2133	84	2133
C	78.5	1994	78.5	1994	80.5	2045	80.5	2045	91	2311	93	2362	96	2438	96	2464	100	2540	100	2540
D	86.2	2190	89.2	2266	88.5	2248	91.5	2324	102.17	2595	105.17	2671	113.2	2875	116.2	2952	114.2	2901	117.2	2977
E	54.5	1384	57.3	1455	56.8	1443	59.7	1516	62.5	1588	65.4	1661	65.3	1659	68.1	1730	66.5	1689	69.4	1763
F	26.4	669	27.5	699	28.1	763	29.2	793	30.1	763	31.24	793	31.1	790	32.3	820	31.1	790	32.3	820