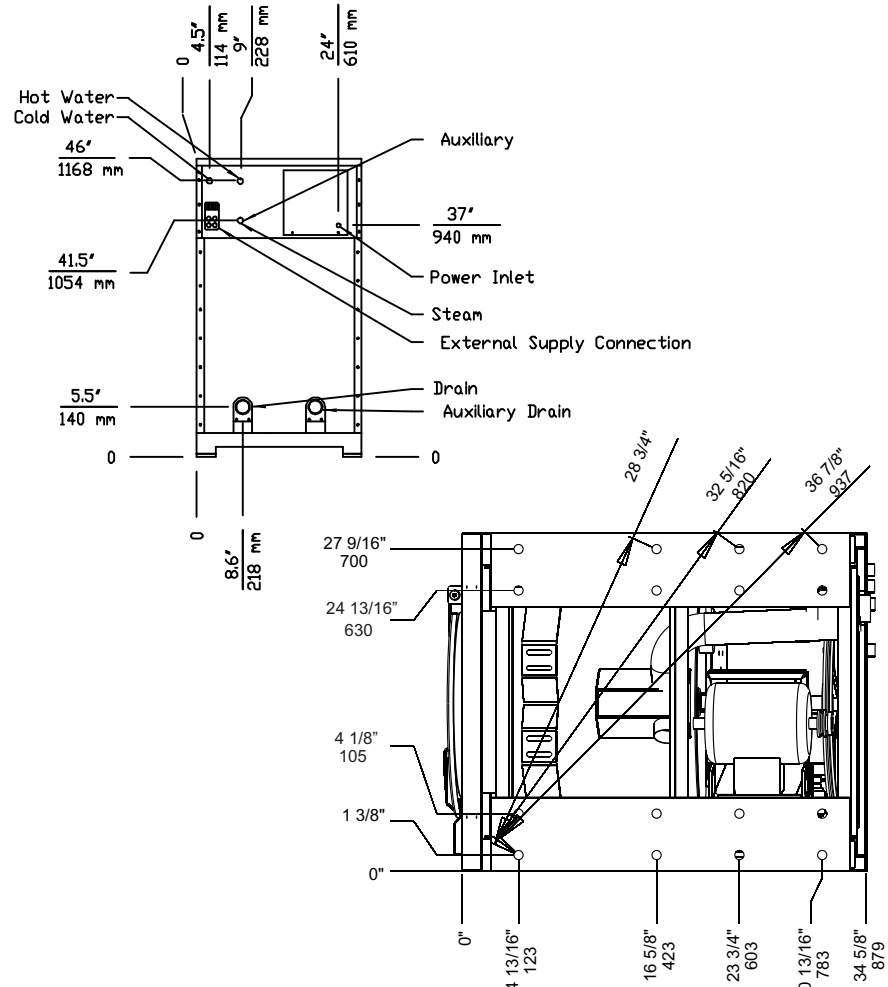
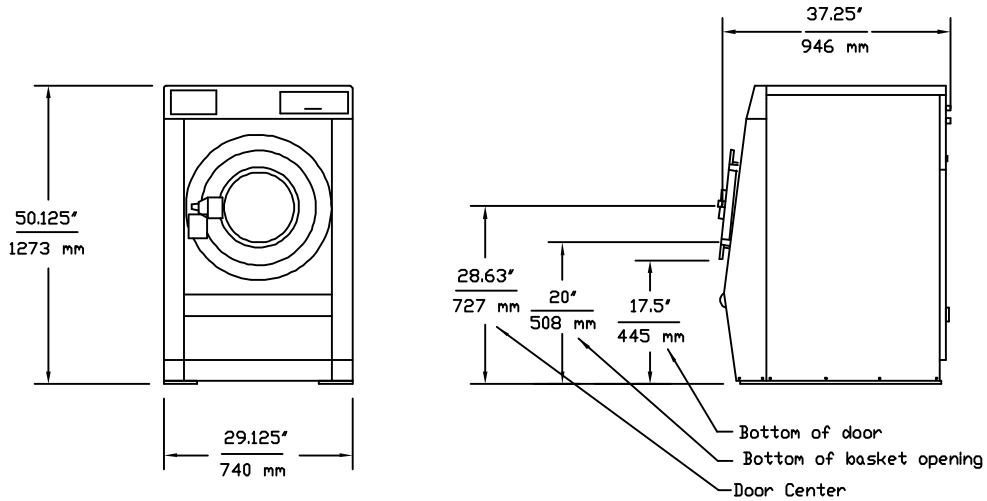


A



Electrical Requirements

Voltage	Phase	System Wire	Wire Size	Amps	Breaker
208-240VAC, 50/60Hz, 1PH	1	2 + GND	14	6.2	15
208-240VAC, 50/60Hz, 3PH	3	3 + GND	14	3.6	15
380-460VAC, 50/60Hz, 3PH	3	3 + GND	14	1.8	15
208-240VAC, 50/60Hz, 3PH Elec. Heat	3	3 + GND	10	24	30
380-460VAC, 50/60Hz, 3PH Elec. Heat	3	3 + GND	14	12	15

Drain Requirements

Connection Size		Discharge Rate		Min Sewer Line	
inches	mm	gal/min	liters/min	inches	mm
2-3/8	60	35	133	3	76

Water Requirements

Hot Water					Flow Rate (@45PSI/3Bar)		Minimum Supply Line Size		Max Operating Pressure		
Connection Size		Line Pressure		Max Temp	gal/min	liter/min	US	Metric	US	Metric	
US	Metric	PSI	Bar	F	C						
3/4"	DN 19	30-75	2-5	200	93	8	30	3/4	DN 19	125 PSI	8 Bar

Steam Requirements

Steam				Minimum Supply Line Size		Max Operating Pressure	
Connection Size		Line Pressure		US	Metric	US	Metric
US	Metric	PSI	Bar	US	Metric	US	Metric
1/2"	DN 12	30-75	2-5	1/2"	DN 12	100 PSI	6 Bar

Dynamic Load Specifications


Static Load		Dynamic Load		Dynamic Frequency
lbs	kN	lbs	kN	Hz
517	2.3	900	4	11.1

Shipping Data

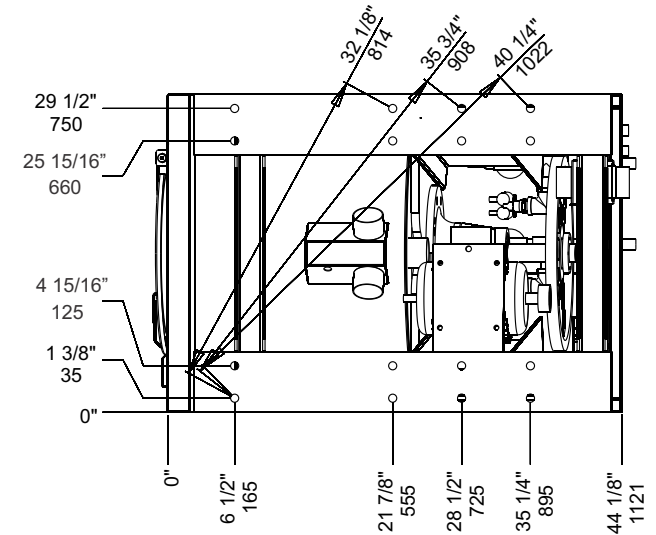
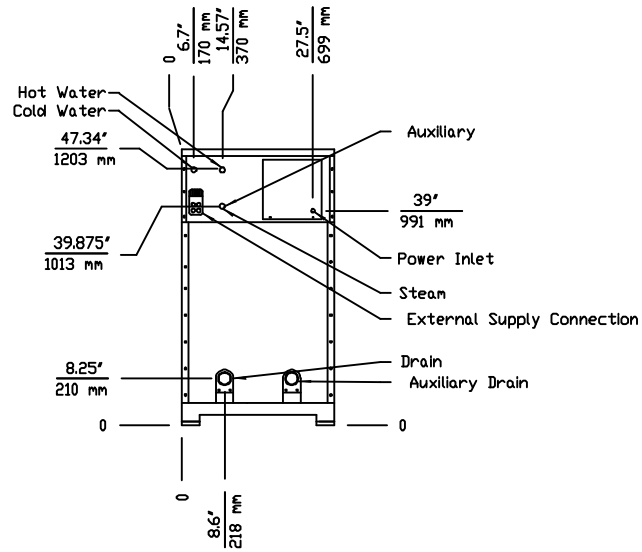
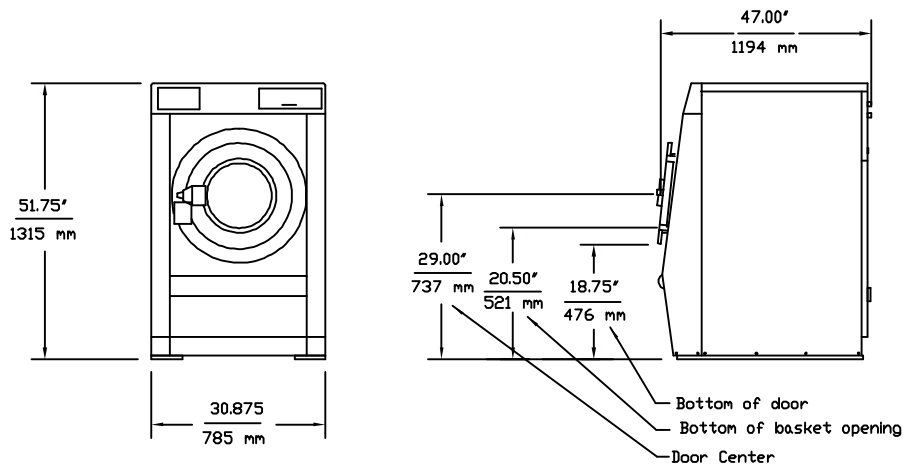
Type	lbs	kg	cu ft	cu m
Domestic	680	308	34	1
Export	720	327	34	1

MOUNTING BOLT DETAIL

Foundation details are in the HE Series Installation & Operation Manual

REV	BY	DATE	REV. DESCRIPTION
A1	AFA	9-30-2013	Created
DRAWN BY		DATE	 Panama City, FL Phone: 850-249-2222 Fax: 850-249-2226 www.bandctech.com
A. Adcock		9-30-2013	
CHECKED BY		DATE	
S. Brown		9-30-2013	
DESCRIPTION			
General Technical Specifications			
HE-35			
DATE	FILE NAME	SHEET	
9-30-2013	HE-35GenSpec.cdr	1 OF 1	

A



MOUNTING BOLT DETAIL

Foundation details are on pages 17-21 in the HE Series Installation & Operation Manual

Electrical Requirements

Voltage	Phase	System Wire	Wire Size	Amps	Breaker
208-240VAC, 50/60Hz, 1PH	1	2 + GND	14	8.1	15
208-240VAC, 50/60Hz, 3PH	3	3 + GND	14	4.7	15
380-460VAC, 50/60Hz, 3PH	3	3 + GND	14	2.3	15
208-240VAC, 50/60Hz, 3PH Elec. Heat	3	3 + GND	4	48	60
380-460VAC, 50/60Hz, 3PH Elec. Heat	3	3 + GND	10	24	30

Drain Requirements

Connection Size		Discharge Rate		Min Sewer Line	
inches	mm	gal/min	liters/min	inches	mm
2-3/8	60	35	133	3	76

Water Requirements

Hot Water				Flow Rate (@45PSI/3Bar)		Minimum Supply Line Size		Max Operating Pressure			
Connection Size		Line Pressure		Max Temp							
US	Metric	PSI	Bar	F	C	gal/min	liter/min	US	Metric		
3/4"	DN 19	30-75	2-5	200	93	11	40	3/4	DN 19	125 PSI	8 Bar

Steam Requirements


Steam				Minimum Supply Line Size		Max Operating Pressure	
Connection Size		Line Pressure					
US	Metric	PSI	Bar	US	Metric	US	Metric
1/2"	DN 12	30-75	2-5	1/2"	DN 12	100 PSI	6 Bar

Dynamic Load Specifications

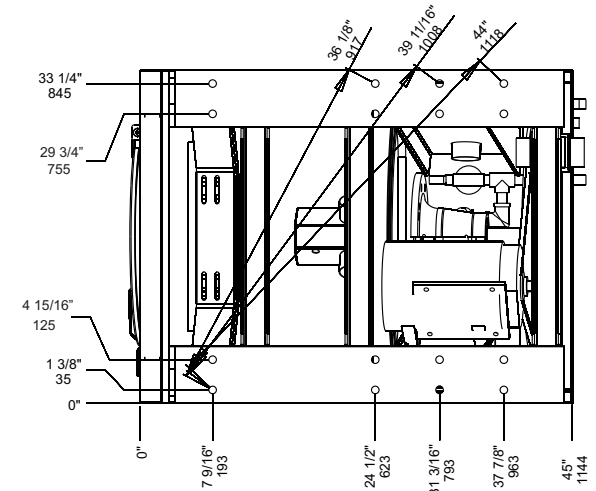
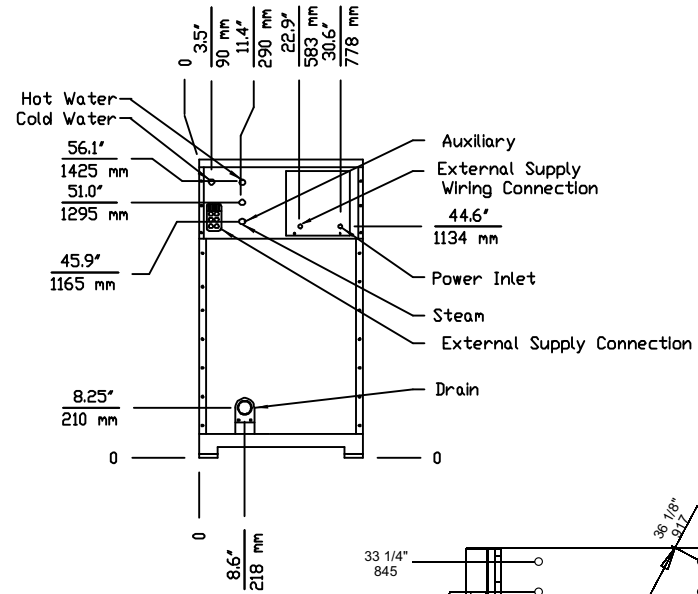
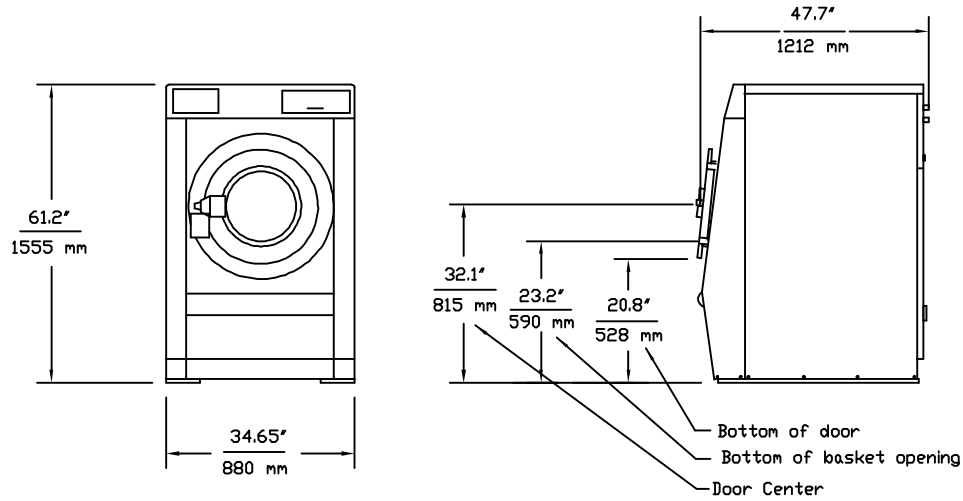
Static Load		Dynamic Load		Dynamic Frequency
lbs	kN	lbs	kN	Hz
1055	4.7	1200	5.3	10.5

Shipping Data

Type	lbs	kg	cu ft	cu m
Domestic	1040	473	49	1.4
Export	1090	195	49	1.4

REV	BY	DATE	REV. DESCRIPTION
A2	AFA	7-7-2015	Corrected drain spec
DRAWN BY		DATE	 Panama City, FL Phone: 850-249-2222 Fax: 850-249-2226 www.bandctech.com
A. Adcock		9-30-2013	
CHECKED BY		DATE	
S. Brown		9-30-2013	
DESCRIPTION			
General Technical Specifications			
HE-45			
DATE	FILE NAME	SHEET	
9-30-2013	HE-45GenSpec.cdr	1 OF 1	

A



MOUNTING BOLT DETAIL

Foundation details are on pages 17-21 in the HE Series Installation & Operation Manual

Electrical Requirements

Voltage	Phase	System Wire	Amps	Breaker
208-240VAC, 50/60Hz, 1PH	1	2 + GND	8.8	15
208-240VAC, 50/60Hz, 3PH	3	3 + GND	5.1	15
380-460VAC, 50/60Hz, 3PH	3	3 + GND	2.5	15
208-240VAC, 50/60Hz, 3PH Elec. Heat	3	3 + GND	52	60
380-460VAC, 50/60Hz, 3PH Elec. Heat	3	3 + GND	26	30

Drain Requirements

Connection Size		Discharge Rate		Min Sewer Line	
inches	mm	gal/min	liters/min	inches	mm
3	76	62	235	4	102

Water Requirements

Hot Water						Flow Rate (@45PSI/3Bar)		Minimum Supply Line Size		Max Operating Pressure	
Connection Size		Line Pressure		Max Temp		Flow Rate (@45PSI/3Bar)		Minimum Supply Line Size		Max Operating Pressure	
US	Metric	PSI	Bar	F	C	gal/min	liter/min	US	Metric	US	Metric
3/4"	DN 19	30-75	2-5	200	93	11	40	1	DN 25	125 PSI	8 Bar

Steam Requirements


Steam				Minimum Supply Line Size		Max Operating Pressure	
Connection Size		Line Pressure		Line Size		Pressure	
US	Metric	PSI	Bar	US	Metric	US	Metric
1/2"	DN 12	30-75	2-5	1/2"	DN 12	100 PSI	6 Bar

Dynamic Load Specifications

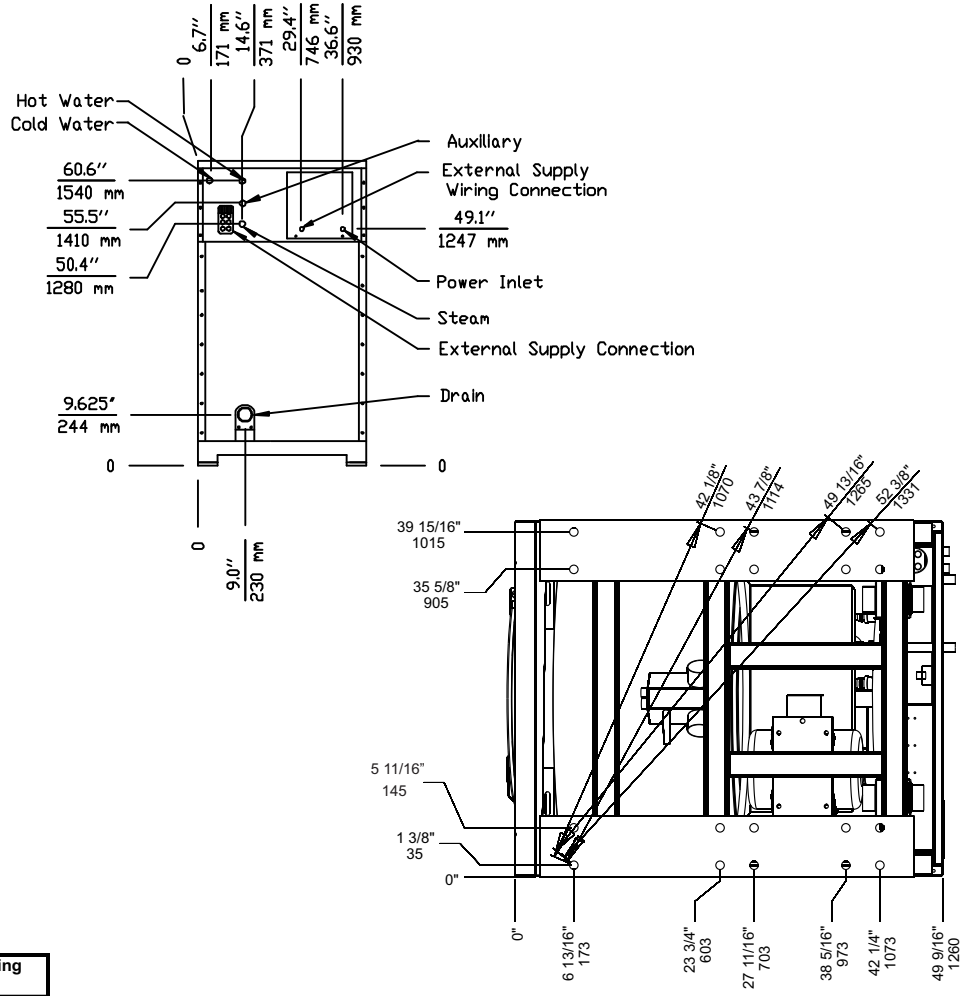
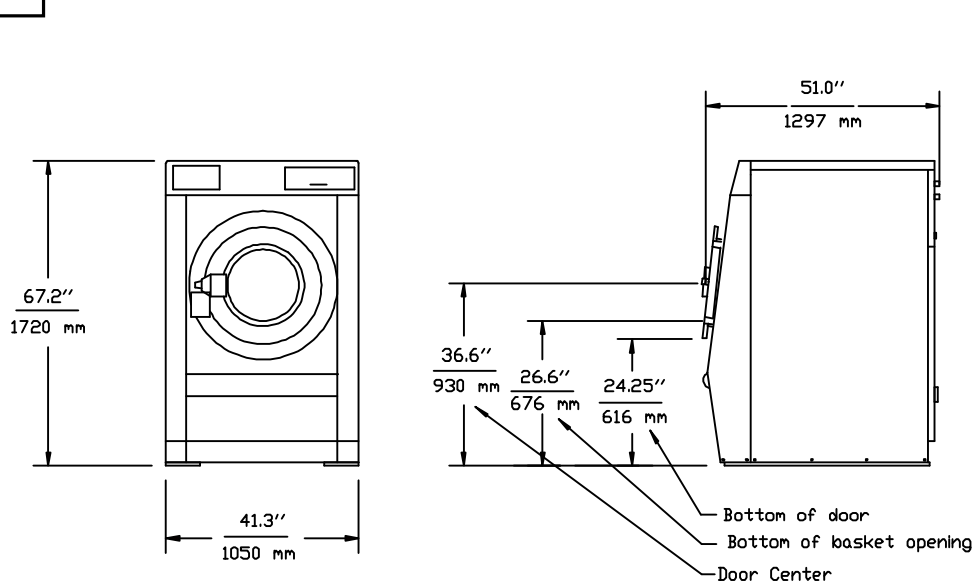
Static Load		Dynamic Load		Dynamic Frequency
lbs	kN	lbs	kN	Hz
1300	5.8	1800	8.1	9.7

Shipping Data

Type	lbs	kg	cu ft	cu m
Domestic	1240	564	68	2
Export	1300	591	68	2

REV	BY	DATE	REV. DESCRIPTION
A1	AFA	9-30-2013	Created
DRAWN BY		DATE	 Panama City, FL Phone: 850-249-2222 Fax: 850-249-2226 www.bandctech.com
A. Adcock		9-30-2013	
CHECKED BY		DATE	General Technical Specifications HE-65
S. Brown		9-30-2013	
DESCRIPTION			
DATE		FILE NAME	SHEET
9-30-2013		HE-65GenSpec.cdr	1 OF 1

A



Electrical Requirements

Voltage	Phase	System Wire	Wire Size	Amps	Breaker
208-240VAC, 50/60Hz, 1PH	1	2 + GND	12	22	25
208-240VAC, 50/60Hz, 3PH	3	3 + GND	12	12.7	15
380-460VAC, 50/60Hz, 3PH	3	3 + GND	12	6.3	15
208-240VAC, 50/60Hz, 3PH Elec. Heat	3	3 + GND	3	75	80
380-460VAC, 50/60Hz, 3PH Elec. Heat	3	3 + GND	8	38	40

Drain Requirements

Connection Size		Discharge Rate		Min Sewer Line	
inches	mm	gal/min	liters/min	inches	mm
3	76	86	326	4	102

Water Requirements

Water				Flow Rate (@45PSI/3Bar)		Minimum Supply Line Size		Max Operating Pressure	
Connection Size		Line Pressure		Max Temp		US	Metric	US	Metric
US	Metric	PSI	Bar	F	C	gal/min	liter/min	US	Metric
3/4"	DN 19	30-75	2-5	200	93	11	40	1	DN 25
								125 PSI	8 Bar

Steam Requirements

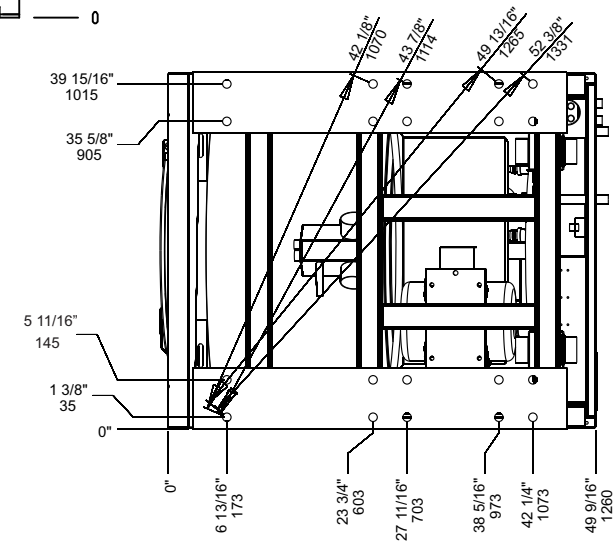
Steam				Minimum Supply Line Size		Max Operating Pressure	
Connection Size		Line Pressure		US	Metric	US	Metric
US	Metric	PSI	Bar	US	Metric	US	Metric
3/4"	DN 19	30-75	2-5	3/4"	DN 19	100 PSI	6 Bar

Dynamic Load Specifications

Static Load		Dynamic Load		Dynamic Frequency
lbs	kN	lbs	kN	Hz
1950	8.7	2400	10.7	8.9

Shipping Data


Type	lbs	kg	cu ft	cu m
Domestic	1800	818	93	2.6
Export	1870	850	93	2.6



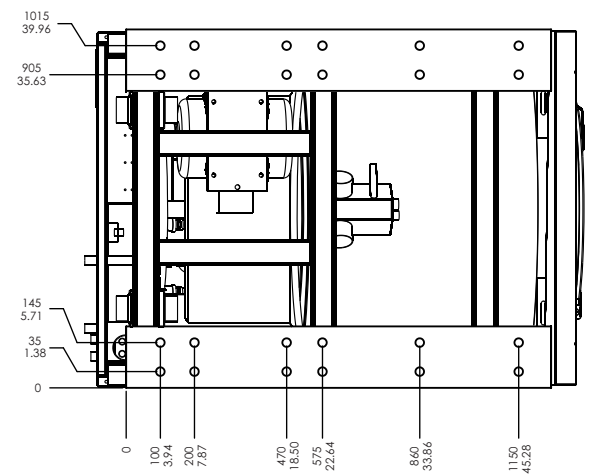
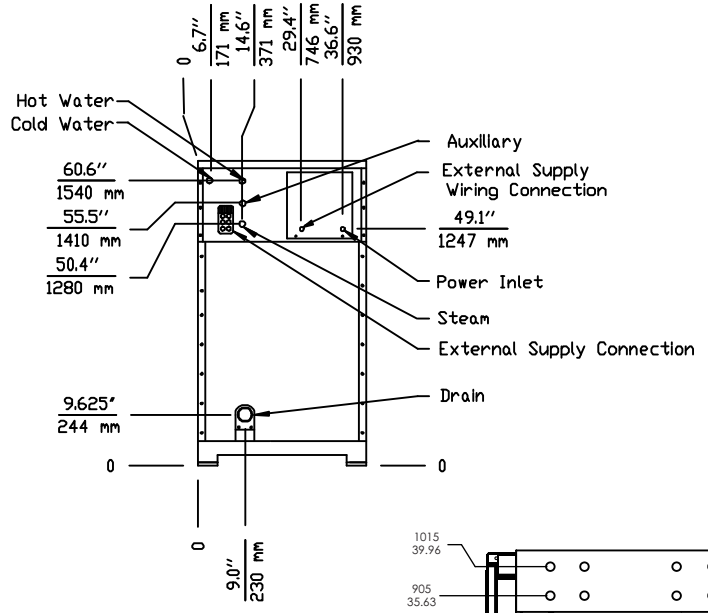
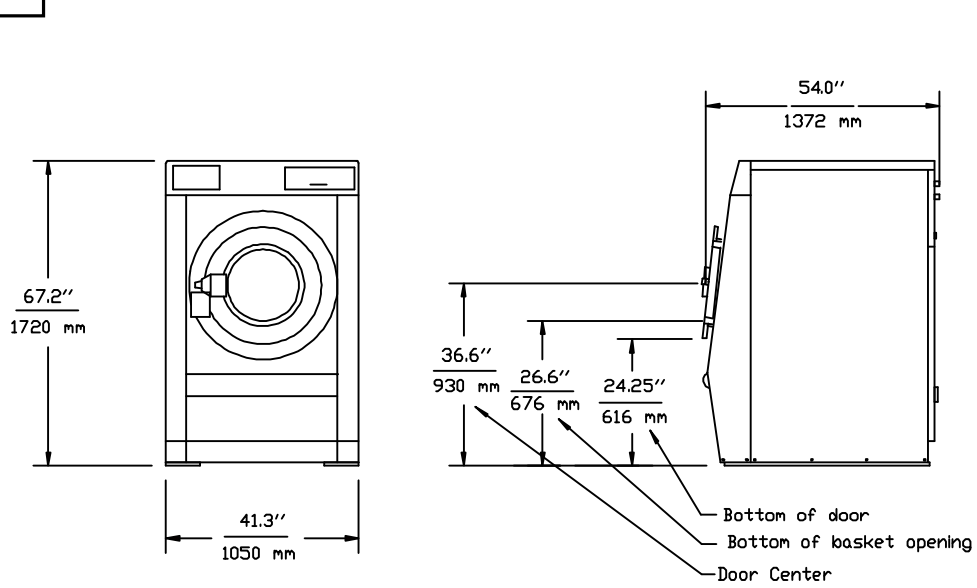
MOUNTING BOLT DETAIL

Foundation details are in the HE Series Installation & Operation Manual

Actual machine footprint is: 41-11/32" (1050mm) W x 43-5/16" (1100mm) D

REV	BY	DATE	REV. DESCRIPTION
A3	AFA	7-31-2023	Added machine footprint
DRAWN BY		DATE	 Panama City, FL Phone: 850-249-2222 Fax: 850-249-2226 www.bandctech.com
A. Adcock		9-30-2013	
CHECKED BY		DATE	
S. Brown		9-30-2013	
DESCRIPTION			
General Technical Specifications			
HE-85			
DATE	FILE NAME	SHEET	
9-30-2013	HE-85GenSpec.cdr	1 OF 1	

A



MOUNTING BOLT DETAIL

Foundation details are in the HE Series Installation & Operation Manual

Actual machine footprint is:
41-11/32" (1050mm) W x 49-1/32" (1245mm) D

Electrical Requirements

Voltage	Phase	System Wire	Wire Size	Amps	Breaker
208-240VAC, 50/60Hz, 1PH	1	2 + GND	10	31	40
208-240VAC, 50/60Hz, 3PH	3	3 + GND	14	18	20
380-460VAC, 50/60Hz, 3PH	3	3 + GND	14	9	15
208-240VAC, 50/60Hz, 3PH Elec. Heat	3	3 + GND	3	80	100
380-460VAC, 50/60Hz, 3PH Elec. Heat	3	3 + GND	8	40	50

Drain Requirements

Connection Size		Discharge Rate		Min Sewer Line	
inches	mm	gal/min	liters/min	inches	mm
3	76	86	326	4	102

Water Requirements

Connection Size		Line Pressure		Max Temp		(@45PSI/3Bar)		Line Size		Pressure	
US	Metric	PSI	Bar	F	C	gal/min	liter/min	US	Metric	US	Metric
1"	DN 25	30-75	2-5	200	93	80	303	1	DN 25	125 PSI	8 Bar

Steam Requirements


Steam				Minimum Supply Line Size		Max Operating Pressure	
Connection Size		Line Pressure		US	Metric	US	Metric
US	Metric	PSI	Bar	US	Metric	US	Metric
3/4"	DN 19	30-75	2-5	3/4"	DN 19	100 PSI	6 Bar

Dynamic Load Specifications

Static Load		Dynamic Load		Dynamic Frequency
lbs	kN	lbs	kN	Hz
3152	14.02	4047	18	10.4

Shipping Data

Type	lbs	kg	cu ft	cu m
Domestic	2250	1023	94.5	2.7
Export	2370	1077	94.5	2.7

REV A2	BY AFA	DATE 7-31-2023	REV. DESCRIPTION Added machine footprint
DRAWN BY A. Adcock		DATE 9-30-2013	 Panama City, FL Phone: 850-249-2222 Fax: 850-249-2226 www.bandctech.com
CHECKED BY S. Brown		DATE 9-30-2013	
DESCRIPTION General Technical Specifications HE-110			
DATE 9-30-2013	FILE NAME HE-110GenSpec.cdr	SHEET 1 OF 1	